

Video Imaging



B45Z03MV-MP
F4.5/45-160mm Megapixel Zoom Lens
2/3", C Mount
Art-No. 42012



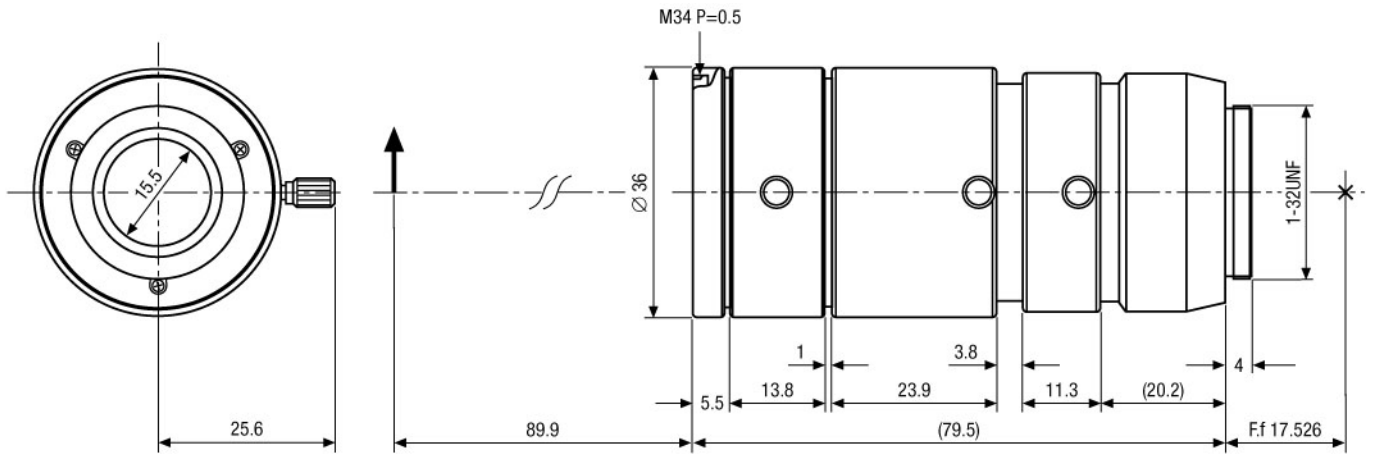
Features

High Resolution Macro Zoom Lens
High Standard of Optical and Mechanical Quality
For Use in Industrial and Security Sectors
3.3x Magnification (0.3 to 1.0)

Low Distortion (+0.02% at 0.3x and 2/3")
Locking Mechanism for Focus, Zoom and Iris
C Mount
Compact Design

Specifications

Magnification	0.3 to 1.0 max.
Focal length (f)	45-160mm
Aperture range (F)	F4.5-C
Lens mount	C
Nominal format size	2/3"
Flange focal length	17.526mm
Horizontal angle of view at nominal format size	11.8 to 2.78°
Vertical angle of view at nominal format size	8.74 to 2.24°
Scene coverage	Horizontal: 21.4 to 6.4mm (at 1/2" and 89.9mm object distance)
Distortion	0.02% (at 2/3" and 0.3x magnification); 1.78% (at 2/3" and 1.0x magnification)
Back focal distance	20.4mm (in air)
Minimum object distance (M.O.D.)	89.9mm
Filter screw size	M34x0.5mm
Screw-in depth	4.0mm
Dimensions (LxD)	79.5x36mm (see drawing)
Weight	150g



Maße/Dimensions: mm