

Video Security

Network Cameras | eneo Network Cameras

ENC-501L

1/3" Network Colour Camera w. CS Mount,
integr. Web Server, 5VDC/230VAC, 340TVL

Art-No. 91423



Features

1/3" CCD Colour Network Camera
Horizontal Resolution of 340 TV Lines
Automatic Shutter Control (AES)
C/CS Mount
MJPEG Compression
Simultaneous Video and Audio Signal Transmission

E-Mail and FTP Transmission of Important Events
Activity Detection
Ethernet Interface: 10/100Base-TX
6mm Lens and Mounting Bracket Supplied
SD Socket for Local Video Storage by SD Cards

Specifications

System	CCIR/PAL
Imager	1/3" interlaced CCD
Resolution	340 TV lines (camera), 352x288 Pixels
Sensitivity at 50% video signal	0.26Lux at F1.2 (VT measurement result)
Automatic shutter control (AES)	1/50-1/100,000/sec.
Activity detection	Integrated motion detector
Lens mount	C/CS
Usable iris controls	Manual/DC controlled iris
Secondary Storage	Via SD card
Video output	1Vp-p, CVBS, 75ohms, BNC
Compression standard	M-JPEG
Frame rate	25 frames/sec. max.(recording mode), up to 15 frames/sec. (streaming mode), Picture size: 4~64kB
Transmission rate	up to 15 frames/sec.
Image display	Via Web Browser or Lan-Cam-Viewer Software
Alarm input	1 (software controlled)
Alarm outputs	Open collector (5V / 0.02A max.)
Alarm handling	Automatic connection setup to a specified IP address

ENC-501L

(Specifications continued)

Ethernet interface	10/100 Base-TX, RJ45
Ethernet protocols	TCP/IP, UDP, ICMP, FTP, DHCP, PPP, HTTP, DNS, DNNS
Software upgrade	Via SD card
Operation protection	Multilevel and Multiuser - Password protected
Serial interfaces	RS-232, RJ 45 connector
Supply voltage	5DC +/-10%
Camera mount	CS 1/4" - 20 UNC thread on bottom side
Housing	Metal
Colour	Grey
Temperature range	5°C - 50°C
Dimensions (HxWxD)	50x62x95mm (see drawing)
Weight	Approx. 300g
Parts supplied	LanCam Viewer Software, Power supply 230V/50Hz - 2A, C/CS mount ring, 6mm lens, Wallbracket

Accessories

47147 / F0312NDDC-NFS	F1.2/2.8mm DC Lens with No Focus Shift,
47148 / F0412NDDC-NFS	F1.2/4mm DC Lens with No Focus Shift,
47149 / F0612NDDC-NFS	F1.2/6mm DC Lens with No Focus Shift,
47154 / F0812NDDC-NFS	F1.2/8mm DC Lens with No Focus Shift,
43237 / F03Z04NDDC-NFS	F1.4/2.8-11mm DC Lens/var. Focal Length
43238 / F03Z2.710DC-NFS	F1.0/3-8mm DC Lens/var. Focal Length
45251 / YV10X5R4A-SA2L	F1,6/5-50mm DC Varifocal Lens with
47156 / F0312M-NFS	F1.2/2.8mm Fixed Focal Length Lens
47157 / F0412M-NFS	F1.2/4mm Fixed Focal Length Lens
47158 / F0612M-NFS	F1.2/6mm Fixed Focal Length Lens
47159 / F0812M-NFS	F1.2/8mm Fixed Focal Length Lens
43239 / A10Z04NDDC-NFS	F1.4/10-40mm DC Lens/var. Focal Length
71856 / DNR-108/80	Digital IP Recorder (8 Channel), 80Gb
71848 / SD CARD/256	SD Memory Card 256MB f. DSR-01/-01N/-04N
76011 / ZELARIS_AC S	Surveillance Software for Network
76012 / ZELARIS_AC C	Client Software for Zelaris_AC S
43248 / A04Z12NDDC-NFS	F1.2/4-12mm DC Lens/var. Focal Length
47161 / F0212NDDC-NFS	F1.2/2.2mm DC Lens with No Focus Shift,
47162 / F0212M-NFS	F1.2/2.2mm Fixed Focal Length Lens

Accessories of

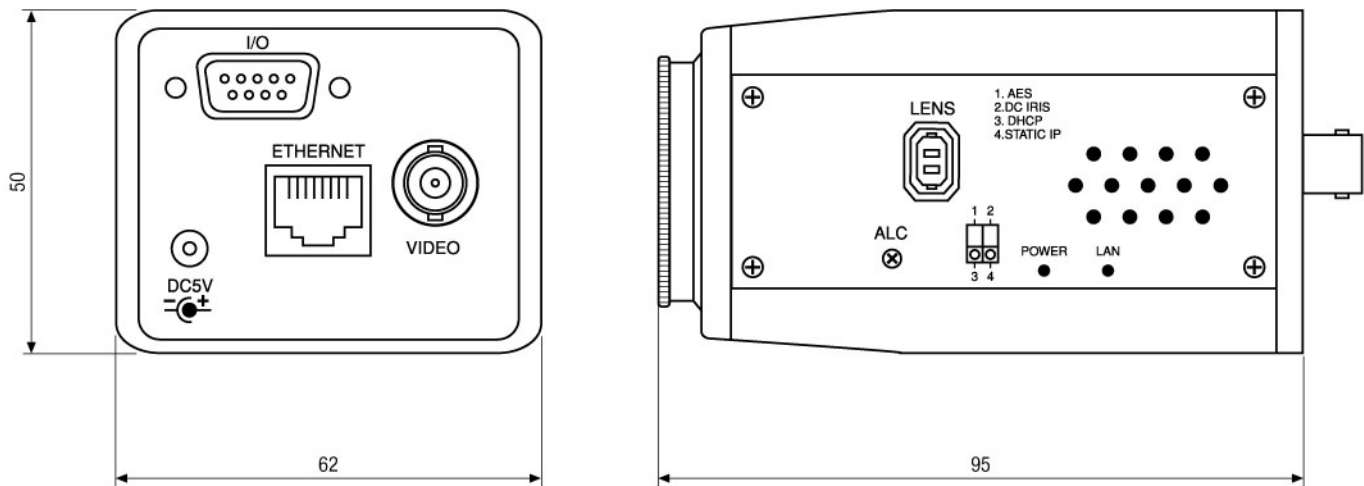
71856 / DNR-108/80	Digital IP Recorder (8 Channel), 80Gb
71875 / DNR-108/80W	Digital W LAN IP Recorder

Viewer Software for the recording of upto 4 cameras ENC-1001P

System requirements for the Viewer Software:

1.8GHz system clock

- Windows 2000 or Win XP (in preparation)
- Network connection 10/100 Base-Tx
- Internet Explorer 5 or higher
- Hard disk 80Gb, depend on recording demand
- RAM 512Mb (recommended)



Maße/Dimensions: mm

VIDEOR TECHNICAL E. Hartig GmbH
 Carl-Zeiss-Straße 8 · 63322 Rödermark · Germany
 Telefon +49 (0) 60 74/8 88-0 · Telefax +49 (0) 60 74/8 88-100
 info@videortechnical.com · www.videortechnical.com