

Video Security

Network Cameras | LAN Camera Systems

ENEO LAN-03

1/3" NW Colour Camera, F1.3/2.7-13.5mm
DC in VHM Weatherproof Housing, 480TVL

Art-No. 96056



Features

1/3" CCD Colour Camera with MJPEG Compression
Lens: F1.3/2.7-13.5mm with DC Controlled Iris
Transmission Rate: Upto 25 Frames/Sec.
E-Mail and FTP Transmission of Important Events
Activity Detection
Ethernet Interface: 10/100Base-T

Supports Various Network Environments
Weatherprotected Housing with 24V Screen Heater
Plugable Connector with 3m Multicore Cable
Viewing Screen with "Clear-Shield" Technology
Surface: RAL7032
Wall Bracket WD-16

Specifications

Imager	1/3" interlaced CCD
Resolution	480 TV lines (camera) 720x576, 352x288
Sensitivity at 50% video signal	0.76Lux at F1.2 (VT measurement result)
Automatic shutter control (AES)	1/50 - 1/100,000Sec.
Activity detection	Integrated motion detector
Focal length (f)	2.7-13.5mm
Horizontal angle of view	99° 42' - 20° 37'
Aperture range	F1.3-F360
Iris control system	Galvanometer
Minimum object distance (M.O.D.)	0.2m
Focus constant range	+0.02mm (Focus deviation at switch-over to IR light at 880nm)
Window screen	and screen cleaning cycles will be extended. The coating is UV light resistant, colour neutral and it causes no F-stop loss.
Window heater	24V, approx. 6watts, with thermostat (On: +16°C, Off: +20°C)
Cable entry	Metal gland M20x1.5mm
Cable connection	3m Multicore cable with open ends

ENE0 LAN-03

(Specifications continued)

Mounting distance from fixing point	300mm
Turning range of the swivel head	360°
Tilt range	Approx. 50°
Protection rating	IP66
Secondary Storage	Via CF card
Recording	on PC with Viewer Software or on CF Card on camera side
Video output	1 Vp-p, CVBS, 75 ohms, BNC
Compression standard	M-JPEG
Frame rate	25 frames/sec. max.(recording mode), up to 15 frames/sec. (streaming mode)
Transmission rate	up to 15 frames/sec.
Video ring buffer	Stores alarms up-to 3 min.
Image display	Via Web Browser or Lan-Cam-Viewer Software
Alarm input	1 (software controlled)
Alarm outputs	Open collector (5V / 0.02A max.)
Alarm handling	Automatic connection setup to a specified IP address. Sending e-mail with alarm picture (JPEG) automatically
Ethernet interface	10/100 Base-TX, RJ45
Ethernet protocols	TCP, UDP, IP, ARP, ICMP, FTP, DHCP, PPP, HTTP, IGMP
Software upgrade	Via CF card (FAT16 formatted)
Operation protection	Multilevel and Multiuser - Password protected
Serial interfaces	RS-232, RS-485, RJ 45 connector
Supply voltage	230VAC/50Hz
Housing	Aluminium
Colour	RAL7032
Temperature range	-10°C ~ +50°C
Dimensions (HxWxD)	See drawing
Weight	Approx. 3.5kg
Parts supplied	230V/50Hz, Screw set, Central plug with built-in 30-pin connector, Wall bracket

Accessories

71852 / CF CARD/128	CF Memory Card 128MB for ENC-1001L,
71853 / CF CARD/256	CF Memory Card 256MB for ENC-1001L,
70456 / AK-2	Camera Connection Box for Standard and

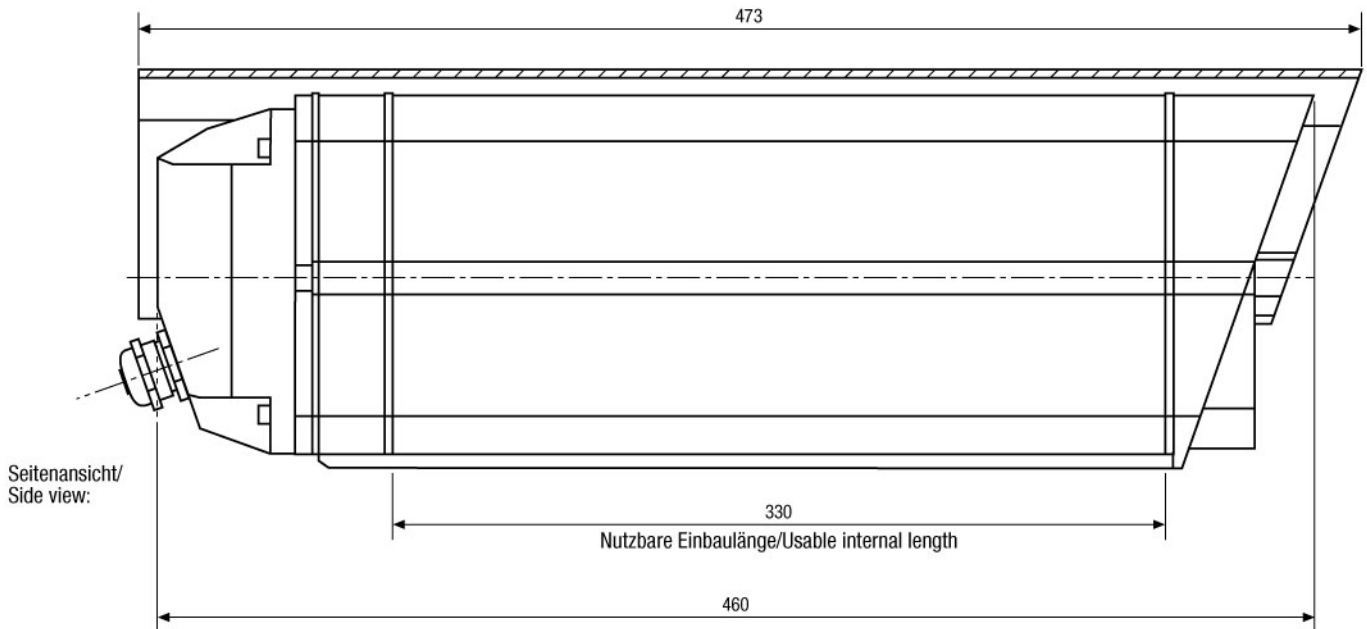
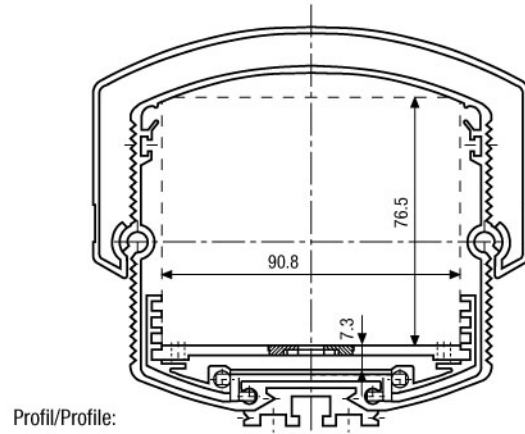
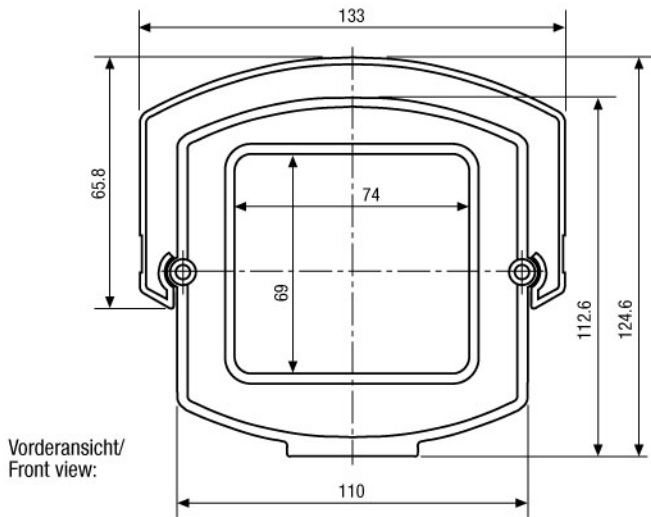
Accessories of

71856 / DNR-108/80	Digital IP Recorder (8 Channel), 80Gb
71875 / DNR-108/80W	Digital W LAN IP Recorder

Viewer Software for the recording of upto 4 cameras ENC-1002L

System requirements for the Viewer Software:

- 1.8GHz system clock
- Windows 2000 or Win XP (in preparation)
- Network connection 10/100 Base-Tx
- Internet Explorer 5 or higher
- Hard disk 80Gb, depend on recording demand
- RAM 512Mb (recommended)



Maße/Dimensions: mm

VIDEOR TECHNICAL E. Hartig GmbH
 Carl-Zeiss-Straße 8 · 63322 Rödermark · Germany
 Telefon +49 (0) 60 74/8 88-0 · Telefax +49 (0) 60 74/8 88-100
 info@videortechnical.com · www.videortechnical.com

