

# SANYO

## 1/3" CCD Vandal-Resistant Dome Camera

- Built-in varifocal lens (f = 4 – 8 mm, F2.0 – 2.8)
- 460 TV lines of horizontal resolution
- Internal sync / line-lock automatic switching
- Dual power supply: 24V AC / 12V – 15V DC
- High sensitivity, minimum required illumination: 1.0 lx at F2.0

## VDC-C1175VP

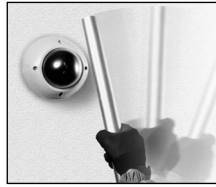
### DIGITAL



# VDC-C1175VP

## Main Features

### Rugged Enclosure



- Tough Die-Cast Aluminium Housing**  
 Enclosed in an exceptionally sturdy die-cast aluminium housing for durability under the most demanding conditions. Mounting screws feature a unique shape to protect against tampering using ordinary tools.

- High-Impact Polycarbonate Dome**

A polycarbonate dome is combined with the die-cast aluminium housing to provide a formidable defense against deliberate attacks intended to disable the camera.

- IP66 Rated Enclosure**

Protecting sensitive electronics and optics within, the enclosure safely meets the IP66 rating to provide a high-degree of protection against the ingress of debilitating water and dust.

### High-Performance Optics and Electronics

- Built-In Varifocal Lens**

Equipped with a 2x zoom varifocal (4 to 8 mm) lens.

- Image Processing**

Features BLC for compensation of backlit conditions and an extensive selection of white balance modes for truer colour images.

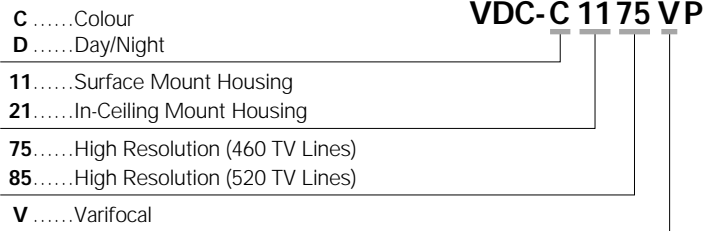


## Specifications

Model No.	VDC-C1175VP
Housing	Surface
TV format	PAL, colour
Scanning method	625 TV lines, 25 frames/sec.
Capturing element	1/3" CCD, interline transmission
Effective picture elements	752 (H) x 582 (V)
Synchronizing system	Internal sync / line-lock automatic switching
Horizontal resolution	460 TV lines
Video signal output	1.0 Vp-p/75 ohms (BNC)
S/N ratio	More than 46 dB
Minimum illumination	1.0 lx (F2.0, 50IRE), 0.6 lx (F2.0, 20IRE)
White balance	ATW/AWB/Manual/Lock/Indoor/Outdoor selected by DIP SW
Backlight compensation	Centre-zone light measuring system ON / OFF by DIP SW
Flickerless function	ON/OFF by DIP SW
Gain control	High/Low by DIP SW
Electronic shutter	8-mode: 1/50, 1/120, 1/250, 1/500, 1/1000, 1/2000, 1/4000, 1/10000 sec. by DIP SW
Built-in lens	Auto-iris varifocal lens (f = 4 – 8 mm, F2.0 – 2.8)
Angle of field adjustment range	Horizontal (pan): 360°, Vertical (tilt): ±80°, manual
Enclosure rating	IP66
Operating environment	Temperature: -10°C – +50°C, Humidity: 90% RH or less
Storage environment	Temperature: -20°C – +60°C, Humidity: 70% RH or less
Power voltage	12V – 15V DC ±10% (10.8V – 16.5V DC), 24V AC ±10%, 50Hz
Power consumption (approx.)	2.8 W
Weight (approx.)	1.6 kg (3.53 lbs.)

NOTE: Specifications subject to change without notice.

### Dome Series Product Number System



### Simple Set-up and Installation

- Adjustable Viewing Angle**

Manual adjustment of the camera's viewing angle allows for 360 degree panning in the horizontal plane and 80 degree tilting in the vertical plane. The viewing angle is easy to adjust even after installation.



- Wall or Ceiling Mountable**

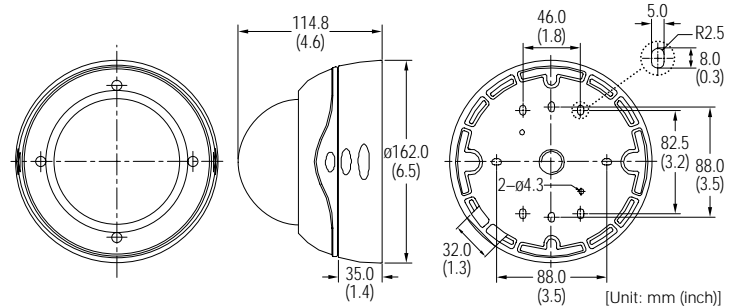
Surveillance of out-of-sight areas is no problem thanks to easy installation on walls and ceilings.

- Runs on AC or DC Power**

Operable on either 12 to 15V DC or 24V AC power sources. When using a 24V AC power source, the camera automatically switches to line-lock allowing synchronization with other devices in a multi-camera system.

Model No.	System	Housing	Resolution	Weatherproof
VDC-C1175VP	Colour	Surface Mount	460 TV Lines	Yes (IP66)
VDC-D1185VP	Colour	Surface Mount	520 TV Lines	Yes (IP66)
VDC-D2185VP	Colour	In-Ceiling Mount	520 TV Lines	Yes (IP66)

### Dimensions



**Caution:** Please consult the instruction manual to ensure safe and proper operation of the product.



DI Solutions Company of Sanyo Electric Co., Ltd. obtained Quality Management System ISO 9001 and Environmental Management System ISO 14001 certifications.

Distributed by:



SANYO Electric Co., Ltd.  
[www.sanyosecurity.com](http://www.sanyosecurity.com)

©2004 SANYO Printed in Japan '04.9.MA.

SMS095