



## Pedestrian barriers MAGSTOP

### Railing

#### Technical Data:

Material		s/s 304
Tube diam. =	mm	42,4
Height	mm	870
Height lower bar	mm	480

#### Description

The stainless steel system for guidelines has been developed in addition to our pedestrian barriers like MPP, MPS and MPR. It is a self-supporting system and cannot be adapted mechanically to our pedestrian barrier products. It offers a variety of possibilities like safety glass infill panel, lower bar etc.

The guideline is designed in modular system whereas the components are assembled with glue by means of flanges and connectors.

#### For the installation there are different possibilities:

- Mounting on a finished floor surface
- Plug-in foundation (only for short guidelines with lower bar)
- Imbed in concrete (max. length of guideline: 4 meter)

In any case a flange cover is included in the delivery.

#### Available versions:

- guideline with 870 mm height without accessories
- guideline with lower bar
- guideline with safety glass infill panel

Furthermore all connecting flanges are available with different angles, e.g. 0°, 45° or 90°, either right or left, which enable a great number of standard versions.

Guidelines > 1,30 m are delivered pre-mounted. They consist of at least one basis and one end module.

Guidelines exceeding 2,60 m require intermediate modules.

Guidelines < 1,30 m absolutely need a lower bar.

It is very important to indicate the exact module length L which is calculated as follows:

$$L = \frac{GL - 42}{(n-1)} + 42 \text{ mm}$$

GL: Total length of guideline (see drawing)  
n : number of posts

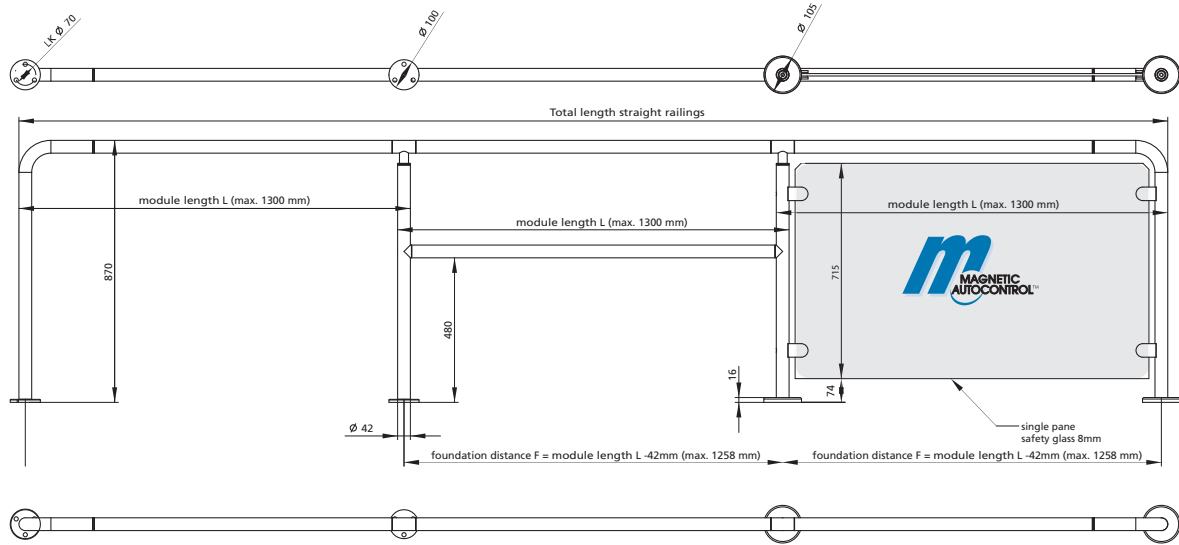
$$GL = (L - 42) \times (n - 1) + 42$$

(Specifications in mm)

For planning your project please refer to our price list 5760.

#### NOTE:

After assembly we recommend curing of the guideline. This is completed after 20 hours approx. at room temperature. Other temperatures change the curing time correspondingly.



For straight railings :

$$GL = [(L - 42\text{mm}) * (n - 1)] + 42\text{mm} = [(L - 42\text{mm}) * m] + 42\text{mm}$$

$$L = [(GL - 42\text{mm}) / (n - 1)] + 42\text{mm} = [(GL - 42\text{mm}) / m] + 42\text{mm}$$

GL = Total length straight railings

L = module length

n = number of posts

m = number of modules

## Types of installation

