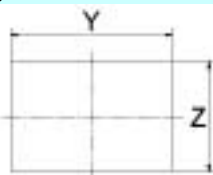


MR5 SERIES

ULTRA MINI-SIZED ROCKER SWITCHES, APPEALING OUTLOOK
NON ILLUMINATED, SOLDERING LUG

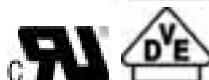


MOUNTING HOLE

X=Panel thickness

X	Dim.Y	Dim.Z
0.75~1.25mm	13.6 $\begin{matrix} +0.00 \\ -0.10 \end{matrix}$	9.20 ± 0.10
1.25~2.00mm	13.7 $\begin{matrix} +0.00 \\ -0.10 \end{matrix}$	9.20 ± 0.10
2.00~2.50mm	13.8 $\begin{matrix} +0.00 \\ -0.10 \end{matrix}$	9.20 ± 0.10

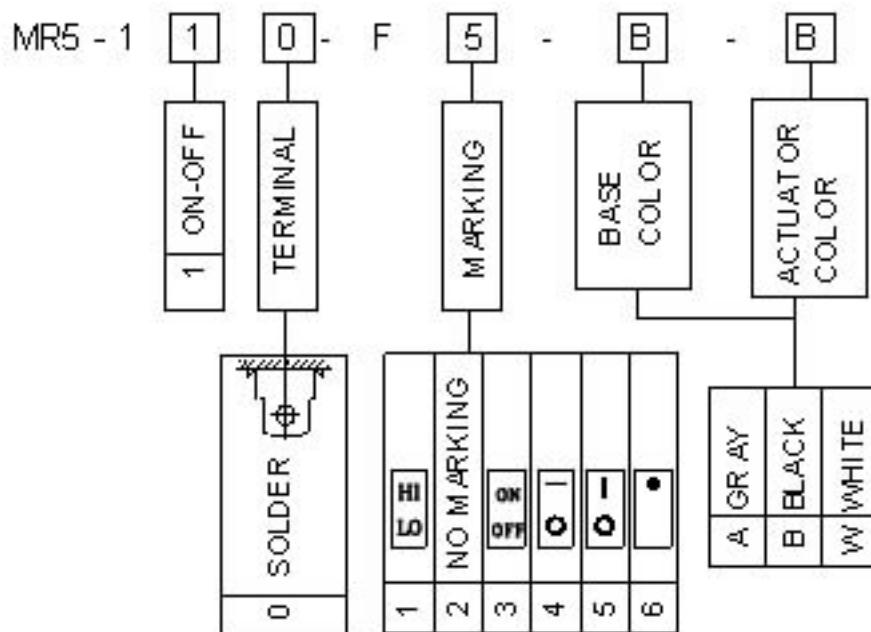
#Patented! World's smallest AC rocker switches



- 6A 125VAC, 3A 250VAC (UL, CUL)
- 3A 250VAC T100/55 (VDE)
- Initial contact resistance : 20m ohm MAX.
- Insulation resistance : 100M ohm MIN. at 500VDC
- Dielectric strength : 1,000VAC FOR 1 MINUTE.
- Electrical life : 10,000 cycles.

- Temperature range : 0 to + 100 degrees in Celsius
- Base : Nylon 66, UL rated 94V-2 min
- Actuator : Nylon 66, UL rated 94V-2 min
- Spring : Piano wire
- Contacts: Silver alloy
- Terminals: Silver plated copper alloy

How to order:



i@

