

DICTATOR ZE Door Holders Standard and *Design Line*

The DICTATOR ZE door holders keep doors open in any position desired.

All ZE door holders feature a **very strong and sturdy construction**. The casing is all of a piece and therefore very resistant also against vandalism. All metallic parts of the door holder are made of either **aluminium or stainless steel**, including the internal parts.

The ZE door holders are available in **two** different **series**: the **Standard** and the new, innovative *Design Line*. The piston rod of the *Design Line* is visible only when the door is fixed. The new construction makes it possible that the door holder even with a stroke of 160 mm is not longer than the one of the Standard series with only a stroke of 90 mm. The *Design Line* can even compensate **very large clearances** between the lower edge of the door and the floor.

Due to the integrated spring in the foot of the door holder, the door remains securely in the adjusted position, even in case of uneven or polished floors. Both types of door holders are comfortably operated by just using a **foot**.



Design Line

Standard

Technical Data

Material	casing: aluminium; other parts: stainless steel, plastics
Strokes Standard	25, 60, 75, 90, 105 mm
Strokes <i>Design Line</i>	80, 120, 160 mm
	longer strokes possible on demand
Finish	silver; other finishes on request
Components included	door holder with fixing screws

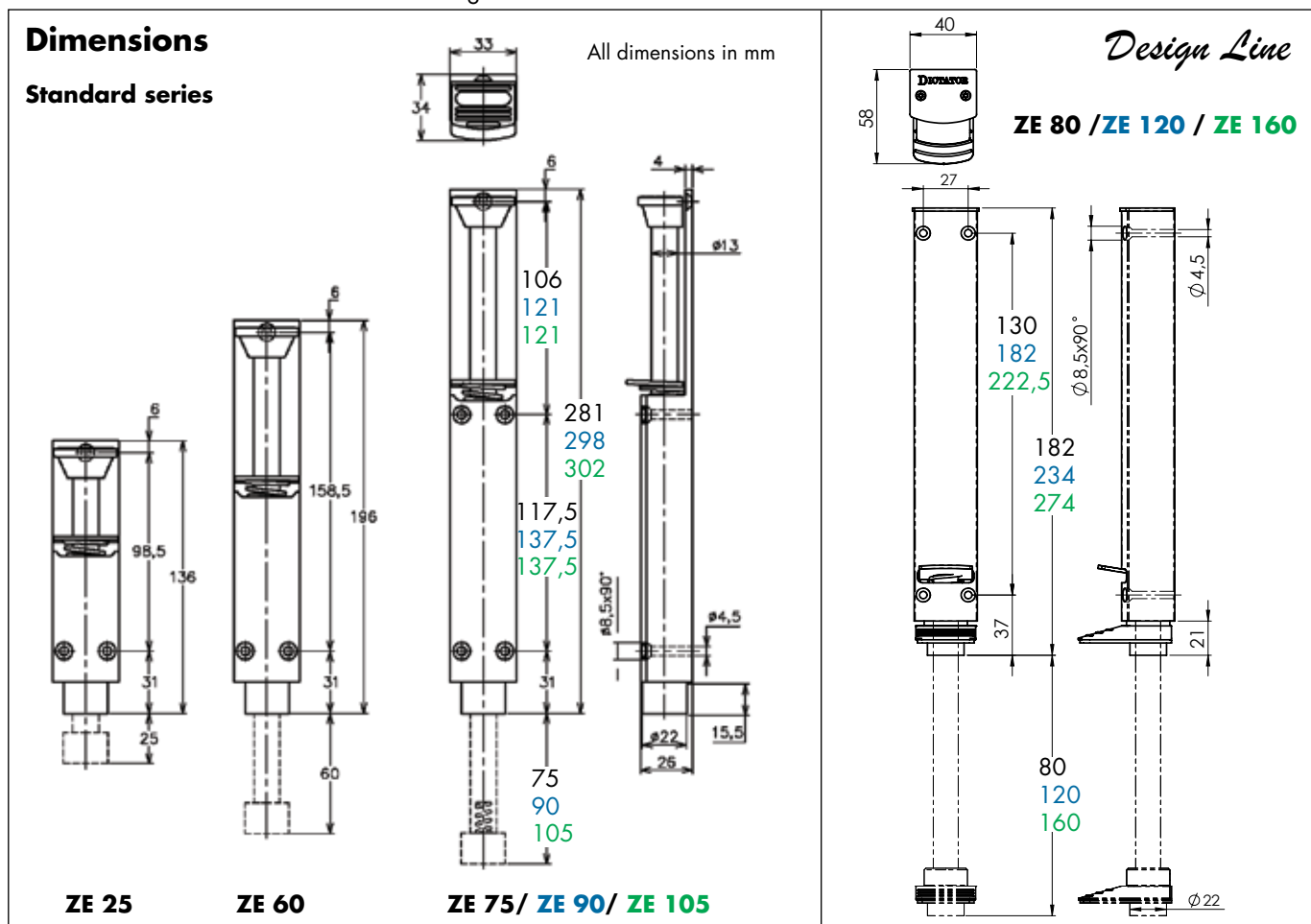
Installation

When selecting the mounting position of the door holder, make sure it can easily be reached when the door is open. The door holder DICTATOR ZE should be mounted as near to the closing edge of the door as possible (ATTENTION in case of doors with multipoint locking!). The foot should be at the same height as the lower edge of the door.

Operation

The door is fixed in the desired position simply by stepping down the piston rod of the door holder. In case of the Standard series you step on the rubber knob atop the door holder, in case of the *Design Line* on the metal foot at the bottom of the casing. A small internal spring presses the foot firmly against the floor and prevents the door from moving.

To release the door you tread the metal plate at the top of the casing (Standard) or in the bottom of the casing (*Design Line*). The piston rod automatically retreats and the door is again free to move.



Order Information

ZE 25 Standard	aluminium satin silver	25 mm stroke	part no. 500200
ZE 60 Standard	aluminium satin silver	60 mm stroke	part no. 500210
ZE 75 Standard	aluminium satin silver	75 mm stroke	part no. 500220
ZE 90 Standard	aluminium satin silver	90 mm stroke	part no. 500230
ZE 105 Standard	aluminium satin silver	105 mm stroke	part no. 500225
ZE 80 <i>Design Line</i>	aluminium satin silver	80 mm stroke	part no. 500235
ZE 120 <i>Design Line</i>	aluminium satin silver	120 mm stroke	part no. 500236
ZE 160 <i>Design Line</i>	aluminium satin silver	160 mm stroke	part no. 500233
ZE 160 <i>Design Line</i>	white RAL 9010	160 mm stroke	part no. 500234

Models with RAL coating on demand