

Top Light Illumination TLi Series

Innovative LED lighting
for machine vision

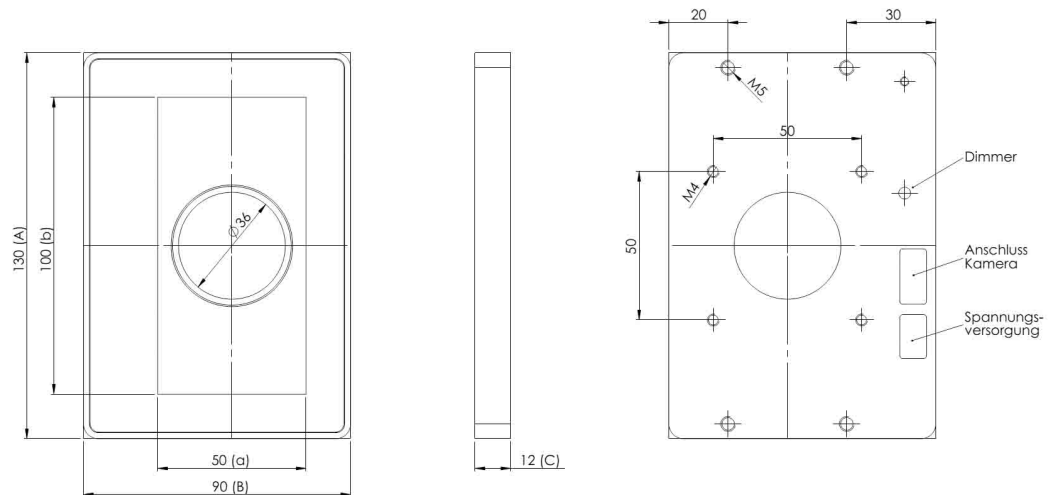


Diffuse incident lighting
with integrated flash controller

- High light efficiency
- Easy integration
- For Basler ace and other
- Cost saving

The integrated flash controller and the 12V power supply enables a direct connection of the camera to the lighting, made for typical bright field applications. In combination with the optional mounts and brackets compact camera sensors can be built-up in an easy way.

Top Light Illumination TLi Series



Model ¹	TLi-0510	TLi-1010
Light field (axb)	50 x 100 mm	100 x 100 mm
Type of lighting	Diffuse incident flash light from above	
Types of color (approximate peak wave length)	Infrared (IR): ~ 880nm / Red (RD): ~ 625nm Green (GN): ~ 525nm / Blue (BE): ~ 460nm White (WT): ~460nm und 560nm	
Supply voltage	24 V DC +/- 10%	
Functions	Integrated LED controller for camera controlled flash mode, brightness controll via dimmer, input for external trigger with loop to camera, 'open collector' input for camera controlled flash signal, 12V camera power supply	
Power consumption during flash light ² (default)	WT: 10.3W RD/IR: 8.1W GN/BE: 6.8W	WT: 20.5W RD/IR: 16.2W GN/BE: 13.7W
Power consumption during flashed light ² (max)	WT: 23.8W RD/IR: 19.4W GN/BE: 15.8W	WT: 47.5W RD/IR: 38.9W GN/BE: 31.7W
Dimensions (AxBxC)	90x130x12 mm	130x140x12 mm
Weight	0.4 kg	0.6 kg
Connector	1x 3Pin for power and ext. trigger, 1x 4Pin for camera (plug contact with RM 3.81)	
Operation temp. ³	10°C - 30°C	
Humidity	30% - 70%	
Accessories	various mounting kits, camera brackets and connection cables	
Price ⁴	295 €	395 €

1) Custom-made solutions on request

2) Valid for duty cycle (on time) <50% (default), and 25% (max)

3) Secure adequate heat conduction at higher temperatures

4) Price for white and red LEDs only, plus VAT, packaging and transportation costs