

H.264 Indoor / Outdoor Full HD Speed Dome IP Camera

- Optical 20X, Digital 8X Selectable
- Full Frame at HD1080p, Two-way Audio
- Video Compression: H.264, MJPEG (Dual Stream)
- Day & Night (IR Cut Filter), DSS
- ONVIF Support
- Embedded Intelligent Video Analytics
- Burnt-in Text, Video Motion Detection Support
- Comprehensive SDK Support
- Stealth Spin® (World Most Silent Speed Dome)
- 0.1° Dome System Accuracy
- Controlling Pan/Tilt Speed While Zooming



Specifications

Camera Module (RC4202HD-6416-20)		Function
Image Sensor	1/3" CMOS 2M Pixel	Protocol
Effective Pixels	1920 X 1080	
Lens	Optical	TCP/IP, UDP/IP, HTTP, RTSP, RTCP, RTP/UDP, RTP/TCP, SNTP, mDNS, UPnP, SMTP, IGMP, DHCP, DDNS, SSL v2/v3, IEEE 802.1X, SNMP v2/v3
	Digital	SD Memory Card Slot
Day & Night	Auto / Day / Night	Support, micro SD card
Digital Shutter	1/1 to 1/10,000 s, Total 22 steps	Electrical
Minimum Illumination	Color: 1.5 Lux (50 IRE) / 0.02Lux(Sens-up) B/W: 0.1 Lux (50 IRE) / 0.001Lux(Sens-up)	Power Source
Luminance S/N ratio	> 50dB	24 VAC 60/50Hz – PoE+ (802.3at)
BLC	On (possible to designate zone) / Off	Power Consumption (Approx)
WDR	Support	Indoor : Max. 21W Outdoor : Max. 53W (With heating)
PAN / TILT		Environmental
Pan Rotation Angle	360° Endless Rotation	Fan / Heater
Pan Speed	Manual	Fan and heater (Outdoor Version only)
	Preset	Operating Range (Indoor) AC24V : 0°C ~ 50°C (32°F ~ 122°F) PoE+ : 0°C ~ 50°C (32°F ~ 122°F) Operating Range(Outdoor) AC24V : -40°C ~ 50°C (-40°F ~ 122°F) PoE+ : -10°C ~ 50°C (14°F ~ 122°F)
Tilt Rotation Angle	-5° ~ 185°	
Tilt Speed	Manual	Certification
	Preset	FCC / CE, KC, (IP66 Outdoor)
System Accuracy	Max. 0.1°(Accuracy) , 0.002° (Resolution)	Operating Humidity
Dome		Up to 85% RH (Non-condensing)
Presets	255 positions with 15 character labels available for each position with different speed steps	Mechanical
Guard Tour	Max 6 Groups (Each one consisting of up to 64 steps)	Material
Auto Pan	Programmable Auto Scan	Indoor
Pattern	8 Programmable Patterns (Total 600 seconds)	ABS
Privacy Zone	8	Outdoor
Auto Flip	On / OFF	Aluminum , Anti-vandal bubble (Poly Carbonate)
OSD menu	Yes (Sequence, ID, Time, PTZ Position, Preset Name)	Color
Serial Port	RS-485	Ivory
Network	10 / 100 Base-T	Dimension
		Indoor: 180(Φ) x 240(H) mm Outdoor: 248(Φ) x 300(H) mm
		Weight (Approx)
		2.1kg (4.64 lbs) (Indoor) 4.6 kg (10.14 lbs) (Outdoor)
		Video Content Analysis (Included as Standard)
		High Performance
		Advanced tracking algorithm and low false alarm rate
		Easy to Use
		Intuitive web browser interface
		Detection Zones
		Multi-segment polygons and lines
		On-screen Display
		Real-time display of tracking data and events
		Tamper Detection
		Detect camera tampering
		Event Message
		Notification service via TCP/IP, UDP/IP, multicast or email text messages with snapshot

RC 4202 / RC 4602 HD - 6416 - 20



... more than standard

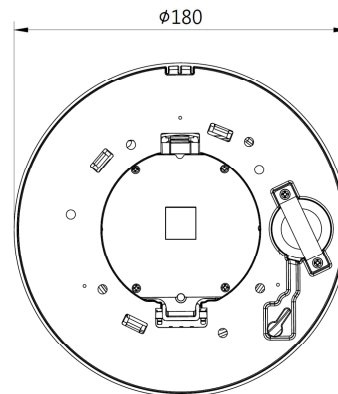
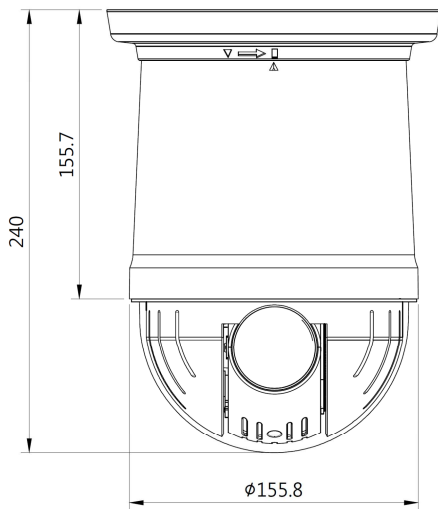
Video	
Compression Format	H.264, MJPEG
Number of Streams	Dual Stream, Configurable*
Resolution	1920x1080, 1280x720, 800x450, 480x270, 320x180
Compression FPS	Configurable up to 30 fps@1080p*
Motion Detection	Support (DSP)
Burnt-in Text (Digital)	Support (DSP)
Output	Analog video output for installation only
Audio	
Input	1 channel
Output	1 channel
Compression Format	G.711
Function	
Digital Input	4 channel
Digital Output	2 channel

Video Content Analysis (Option extension License)	
Available License	VCA-detectIP, VCA-countIP, VCA-accessIP, VCA-surveillanceIP, VCA-advancedIP
Info VCA	Refer to 'RIVA Analytic Product Matrix' document for detailed VCA filter information's

* When VCA is activated, only one camera stream will be available and frame rate is limited to 15fps@1080p. Limitations are based on V.1.3.0 firmware release and could be changed without notice.

Dimension (Unit: mm)

Indoor



Outdoor

