

# TANK-600-<sup>D2550</sup>/<sub>N2600</sub> ■ Fanless Embedded System ■ Intel® Cedarview Dual Core Atom CPU

**New**



## Features

- ◆ Intel® Dual Core D2550 1.86 GHz processor  
Intel® Dual Core N2600 1.6 GHz processor
- ◆ Default : 8 x COM ports (6 x RS:232, 2 x RS:422/484)  
Optional : 8 x COM ports via DB-78 (8 x RS:232)
- ◆ 6 x USB2.0
- ◆ Dual PCIe GbE LAN for high speed network applications



## Specifications

Model Name		TANK-600-D2550	TANK-600-N2600
Chassis	Color	Black C + Silver	
	Dimension (WxDxH)	260 x 200 x 105 mm	
	System Fan	Fanless	
	Chassis Construction	Aluminum alloy	
Motherboard	CPU	Intel® Dual Core D2550 1.86 GHz processor	Intel® Dual Core N2600 1.6 GHz processor
	Chipset	Intel® NM10	
	System Memory	On-board DDR3 4GB	On-board DDR3 2GB
Storage	Hard Drive	1 x 2.5" SATA HDD Bay	
I/O interfaces	USB 2.0	6	
	Ethernet	2 x RJ-45 Realtek 8111E GbE LAN	
	RS-232	Default : 6 x DB-9 Optional : 8 x RS-232 by DB-78	
	RS-422/485	2 x DB-9	
	Display	1 x VGA	
	Resolution	Up to 2048 x 1536 @ 75Hz	
	Audio	1 x Line-out, 1 x Mic-in	
Expansions	PCIe Mini	1 x Full Size (Support mSATA) 1 x Half size	
Power	Power Input	Terminal Block : 9~36V DC	
	Power Consumption	TBD	
Reliability	Mounting	VESA 100, DIN-Rail	
	Operating Temperature	-20°C ~70°C with air flow	
	Operating Shock	Half-sine wave shock 5G, 11ms, 3 shocks per axis	
	Operating Vibration	MIL-STD-810F 514.5C-2 (with SSD)	
	Weight (Net/Gross)	TBD	
	Safety / EMC	CE/FCC	
OS	Supported OS	Microsoft® WES7E, Microsoft® Windows® XP Embedded	

1

Industrial  
Computing  
Solutions

2

Video  
Capture  
Solutions

3

Embedd  
Comput  
Solution

4

ORing  
Network  
Communica

5

Power Sup  
Peripher

6

Panel  
Solutions  
Introduct

## Versatile mounting ways

The TANK-600 series can fulfill VESA 100/DIN-rail/ Wall mount. Providing users different ways to meet their application.



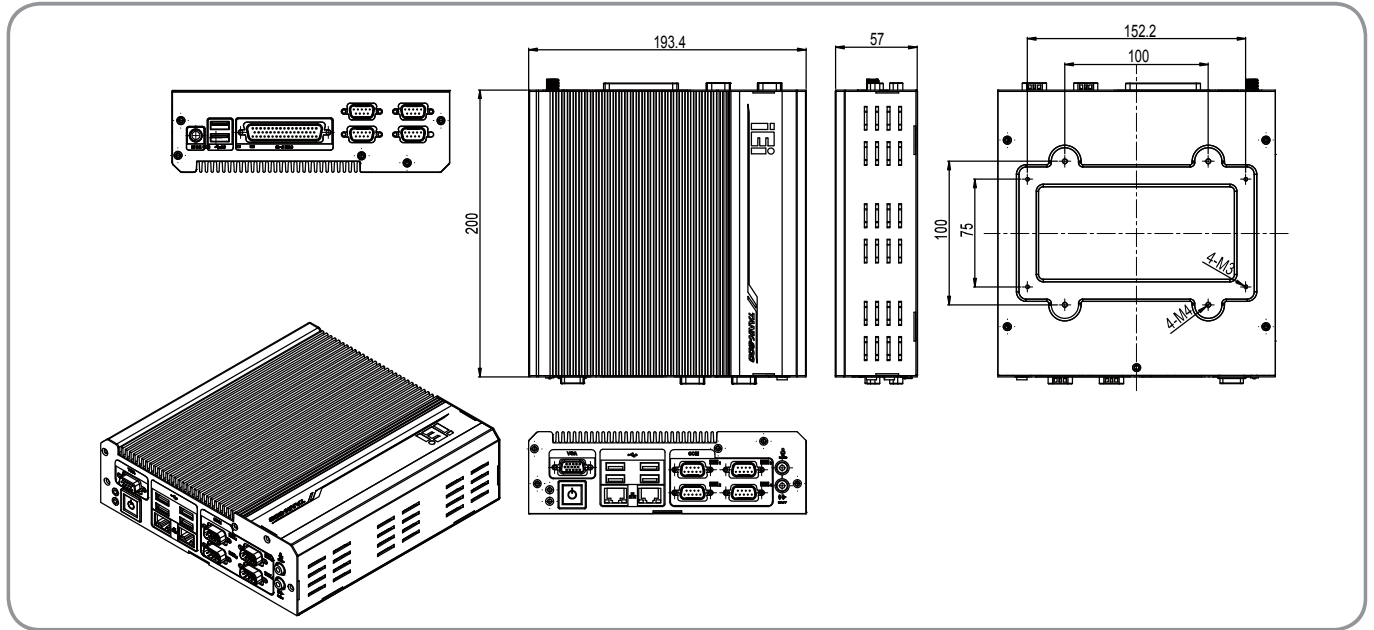
## Rich COM ports

There are 8 COM ports of TANK-600 on default, and another optional 8 COM ports through DB-78. Max 16 ports to achieve uses high demand of COM ports.

## Wide Range Temperature

The TANK-600 support -20°C~70°C wide range environment. Best choice for some ruggedize application.

## Dimensions (Unit: mm)



1 Industrial computing solutions

2 Video Capture solutions

3 Embedded computing solutions

4 IORing Network communication

5 Printer Supply/ peripherals

6 Panel solutions production

## Ordering Information

Part No.	Description
TANK-600-CV-D2550-R10	Extend temperature Fanless embedded system with Intel® Cedarview D2550 dure core 1.86GHz CPU, with 4G DDR3 RAM onboard, 1xVGA, Dual GbE, 6xUSB2.0
TANK-600-CV-N2600-R10	Extend temperature Fanless embedded system with Intel® Cedarview N26001.6 GHz processor dure core CPU, with 2G DDR3 RAM onboard, 1xVGA, Dual GbE

## Options

Item	Qty	Description
DB-78	1	8 X COM RS:232
VESA Kit	1	VESA 100 kit

## Packing List

Item	P/N	Qty	Description
Utility CD		1	Drivers and user manual
One Key recovery CD		1	
Screw set		1	
Wall mount bracket		1	
Wall mount bracket screws			
DIN-rail mount	DK-84MB	1	
Power adapter		1	
Power cord		1	