

RC 4100 - 2212 - 36

H.264 Indoor (RC4100/IN) / Outdoor (RC4100/OUT) PTZ Dome IP Camera

- Including PTZ Auto-Tracking License (VCAfollowIP)
- Up to 432X Zoom (Optical 36X, Digital 12X) Selectable
- H.264 25/30 FPS@D1, 2-way Audio
- Video Compression: H.264, MPEG-4, MJPEG (Dual Stream)
- Day & Night (IR Cut Filter), DSS
- De-interlacing on DSP
- Burnt-in Text, Video Motion Detection Support
- Comprehensive SDK Support
- Stealth Spin® (World Most Silent Speed Dome)
- 0.024° Dome System Accuracy with 1/8 micro Step
- Controlling Pan/Tilt Speed While Zooming
- Power Misconnection Protection Function on RS-485 Terminal
- RC4100/OUT is an Outdoor PTZ Camera, Adding an Outdoor Housing to Indoor PTZ RC4100



Auto Tracking
included

Specifications

Camera Module (RC4100-2212-36)		
Image Sensor	1/4" Sony Exview HAD	
Number of effective Pixel	NTSC: 768(H) x 494(V) PAL: 752(H) x 582(V)	
Horizontal resolution	550 TVL	
Lens	Optical	36x Optical Zoom (F=1.6~F4.5, f=3.4 to 12.2)
	Digital	12x (432x with optical)
Day & Night (ICR)	Auto / Day / Night	
Min. Focus Distance	0.32m (Wide) / 1.5m (Normal)	
Digital Slow Shutter	ON/OFF	
Minimum Illumination	0.1 Lux (50 IRE): (Normal) 0.01 Lux (ICR On): (Night)	
Luminance S/N ratio	More than 50dB	
BLC	ON / OFF	
WDR	Support	
Flicker less (NTSC)	ON / OFF	
PAN / TILT		
Pan Rotation Angle	360° Quick Endless Rotation	
Pan Speed	Manual	0.5° ~ 100 or 200° / s
	Preset	Max 300° / sec, Min 10° / sec
Tilt Rotation Angle	-2° ~ 90°	
Tilt Speed	Manual	0.5~ 45° / sec (64 steps)
	Preset	Max 250° /sec, Min 20° /sec
System Accuracy	0.024°	
Dome		
Presets	165 positions with 16 clips	
Guard Tour	Max 8 Groups (Each one consisting of up to 16 positions)	
Auto Pan	Programmable Auto Scan	
Pattern	8 Programmable Patterns	
Sector	9 Selectable Sectors with 16 positions	
Privacy Zone	8	
Auto Flip	ON / OFF	
OSD menu	Yes	
Video		
Compression Format	H.264, MPEG-4, MJPEG	
Number of Streams	Dual Stream, Configurable	
Resolution	D1, 4CIF, 2CIF, VGA, CIF	
Compression FPS	25/30 fps@D1	

Function		
Digital Input	4 channel	
Digital Output	2 channel	
Serial Port	RS-485	
Network	10 / 100 Base-T	
Protocol	TCP/IP, UDP/IP, HTTP, RTSP, RTCP, RTP/UDP, RTP/TCP, SNTP, mDNS, UPnP, SMTP, IGMP, DHCP, DDNS, SSL v2/v3, IEEE 802.1X, SNMP v2/v3	
SD Memory Card Slot	Support (microSD type up to 8GB)	
Electrical		
Power Source	18~32 VAC 60/50Hz 850mA (indoor) 18~32 VAC 60/50Hz 1.5A (outdoor)	
Power Consumption (Approx)	18W Max (indoor) 36W Max (outdoor)	
Environmental		
Fan / Heater	Fan and heater (outdoor)	
Operating Temperature	-10°C ~ 50°C (14°F ~ 122°F) (indoor) -40°C ~ 50°C (-40°F ~ 122°F) (outdoor)	
Certification	FCC / CE, (IP66 / IK10 outdoor version)	
Operating Humidity	Up to 85% RH (Non-condensing)	
Mechanical		
Material	Indoor	ABS
	Outdoor	Aluminum, Anti-vandal bubble (Poly Carbonate)
Color	Cool gray	
Dimension	Housing: 147(Φ) x 190(H) mm / 5.8"(Φ) x 7.5"(H) (indoor) Housing: 190(Φ) x 307(H) mm (outdoor)	
Weight (Approx)	1.9kg (5lbs) (indoor) 5.7 kg (outdoor)	
Video Content Analysis (Included as Standard)		
High Performance	Advanced Tracking Algorithm, Low False Alarm Rate	
Easy to Use	Intuitive Web Browser Interface	
Detection Zones	Multi-segment Polygons and Lines	
On-screen Display	Real-time Display of Tracking Data and Events	
Auto Tracking	Automatic PTZ Drive to Track Moving Objects	
Video Content Analysis (Option)		
Detection Behavior	Direction, Stopping, Loitering, Entering, Exiting, Appear, Disappear Filters, Abandoned and Removed Object, Tail-gating	

RC 4100 - 2212 - 36

De-interlacing	Support (DSP)	3D Behavior	Perspective Corrected Size and Speed Filters
Motion Detection	Support (DSP)	Statistics	Counting Functions and Other Statistics
Burnt-in Text (Digital)	Support (DSP)	Meta Data	Plain XML Format
Output	1 Loop Out (BNC Connect)	Image Stabilization (Option)	
Audio		Electronic Stabilization	Removes Camera Sway
Input	1 channel		
Output	1 channel		
Compression Format	G.711		

Ordering Information

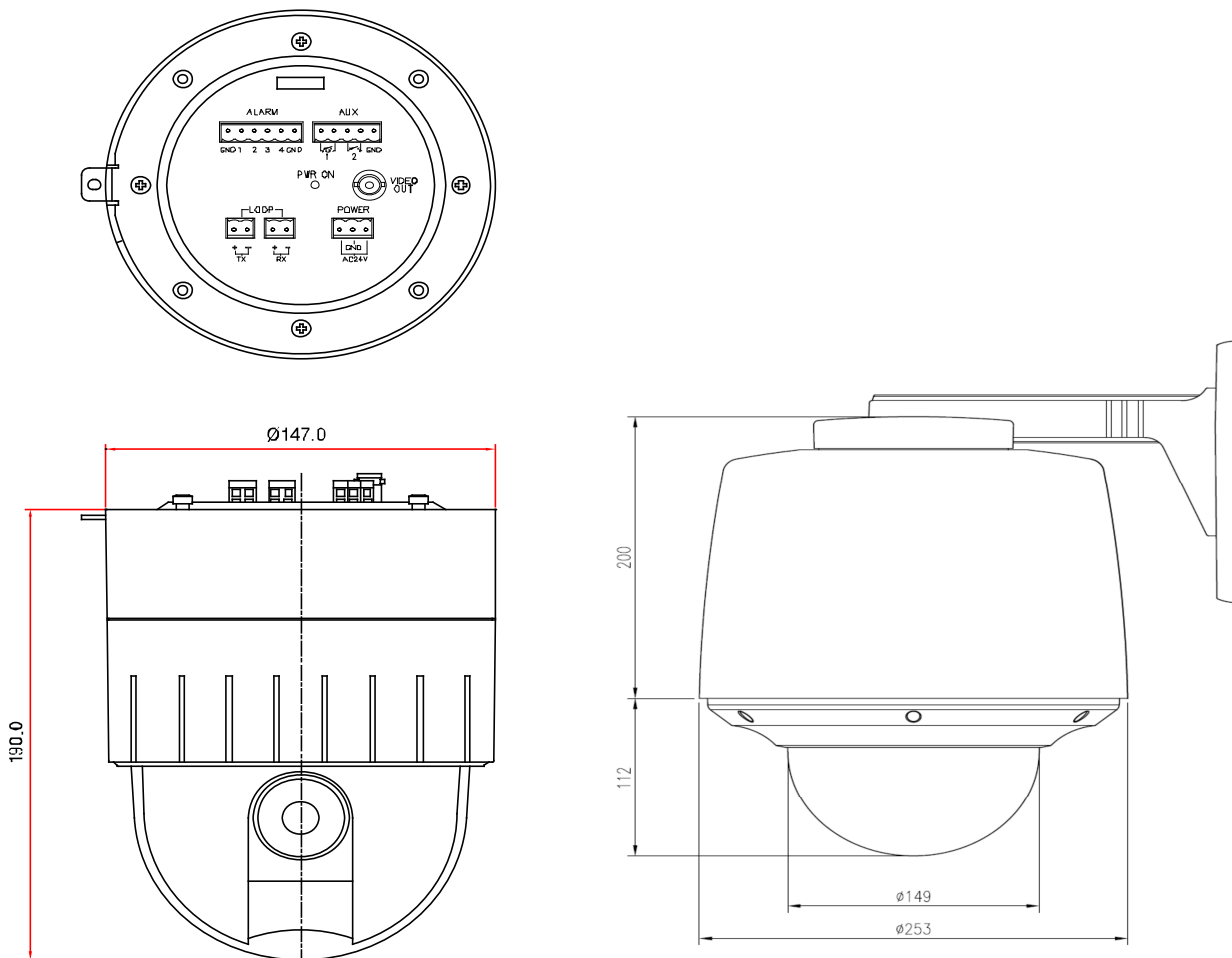
Option Model	Camera Module	Day & night	WDR
RC4100-2212-36/1	Sony 36X Optical Zoom	ICR	0
RC4100-2212-36/0	Sony 36X Optical Zoom	ICR	0

* RC4100/OUT = RC4100 + ODH-103N

** 24V AC Power Supply not included

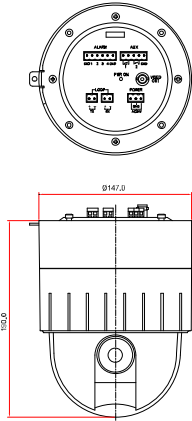
Dimension

(Unit: mm)

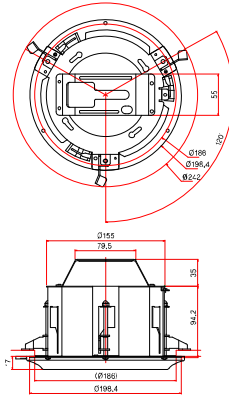


RC 4100 - 2212 - 36

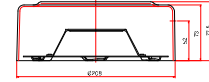
RC4100 Dimension & Accessories – Indoor Version



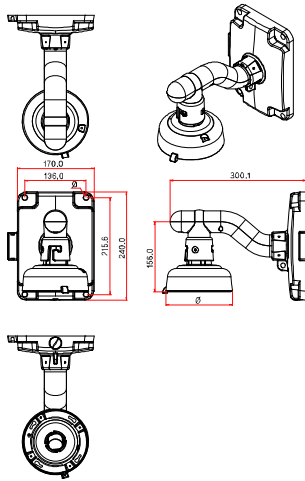
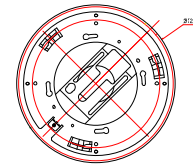
RC4100/1



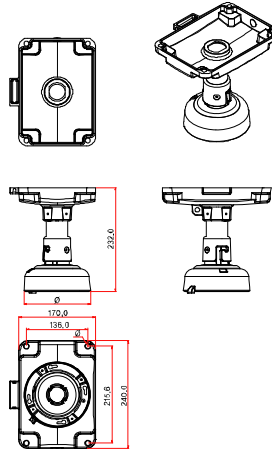
Flush Mount Bracket (FMB-4100)



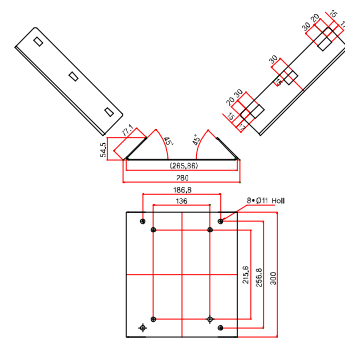
Hard Ceiling Mount Bracket (CMB-4100H)



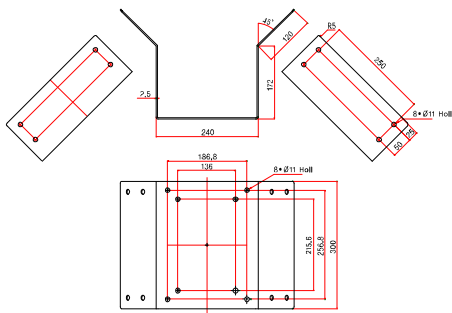
Wall Mount Bracket (WMB-4100)



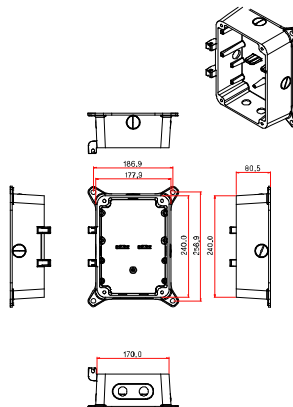
Ceiling Mount Bracket (CMB-4100)



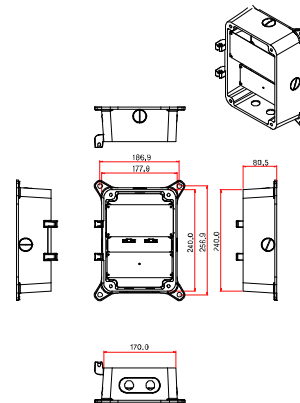
Pole Mount Adapter (PMA-4100)



Corner Mount Adaptor (CMA-4100)



Junction Box (JBK-4100)



Junction Box (JBX-4100) (incl. Cable & PCB Kit)

