



Coded safety switch PSENcode: Three positions – One safe sensor

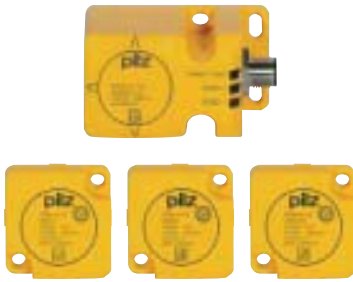
pilz

The coded safety switch PSEN csx.19n is another new addition to the PSENcode product range – for safe monitoring of up to three positions. With this economical solution, the coded safety switch also undertakes safe position detection. Diagnostics are quick and user-friendly via LED display, whether you use the compact or the large design. Thanks to the connection type (M12 connector, 5-pin), the new PSENcode fits perfectly into any system environment.

Your benefits at a glance

- ▶ Economical solution, as only one sensor is needed to monitor three positions safely
- ▶ Safe inputs on the evaluation device can be reduced, as can the cable accessories
- ▶ Rapid diagnostics thanks to a clear LED display
- ▶ Long product service life thanks to non-contact action principle
- ▶ Flexible installation, as both sensor and actuator support all actuation and approach directions
- ▶ Safe, complete solution with the configurable safety relay PNOZmulti Mini

Coded safety switch PSENcode



PSEN cs1.19n



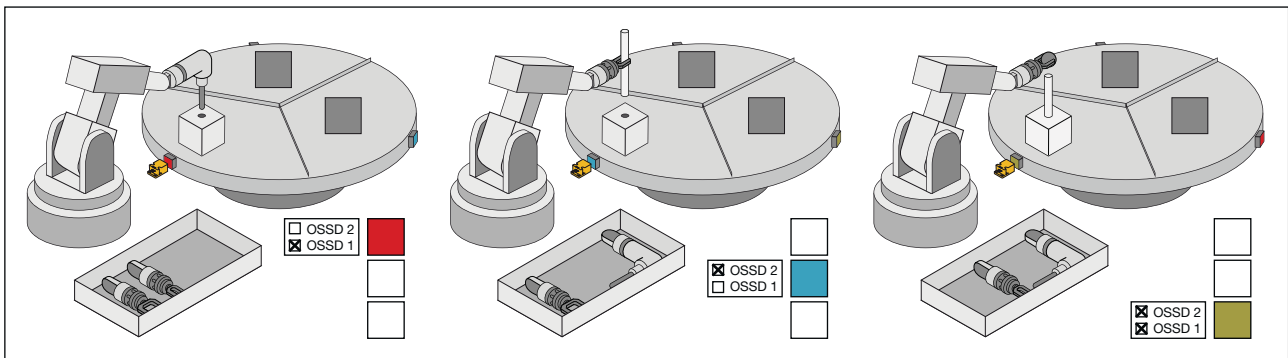
PSEN cs3.19n

Technical features

- ▶ Mode of operation RFID transponder technology
- ▶ Coding type Coded
- ▶ Actuator 3 (OSSD 1, OSSD 2, OSSD 1&2)
- ▶ Minimum distance
 - between 2 actuators 40 mm (PSEN cs1.19n)
20 mm (PSEN cs3.19n)
 - between 2 sensors 400 mm (PSEN cs1.19n)
100 mm (PSEN cs3.19n)
- ▶ Actuation directions 4 (PSEN cs1.19n)
1 (PSEN cs3.19n)
- ▶ Diagnostic interface 3 LEDs (active actuator, supply voltage/error)
- ▶ Connection M12 connector, 5-pin
- ▶ Design Compact or large
- ▶ Typical operating distance 11 mm (PSEN cs1.19n)
15 mm (PSEN cs3.19n)
- ▶ Outputs 2 safety outputs
- ▶ Inputs 2 safety inputs
- ▶ Protection type IP67

Order number

- Sensor with 3 actuators (OSSD 1, OSSD 2, OSSD 1&2)**
- ▶ PSEN cs1.19n/PSEN cs1.19 540 303
 - ▶ PSEN cs3.19n/PSEN cs3.19 541 303
- Sensor with 2 actuators (OSSD 1, OSSD 2)**
- ▶ PSEN cs1.19n/PSEN cs1.19 540 305
 - ▶ PSEN cs3.19n/PSEN cs3.19 541 305
- Sensor with 1 actuator (OSSD 1&2)**
- ▶ PSEN cs1.19n/PSEN cs1.19 540 304
 - ▶ PSEN cs3.19n/PSEN cs3.19 541 304



PSENcode monitors and safely distinguishes between up to three positions.

Actuators used	Achievable safety level in accordance with EN ISO 13849-1 (per actuator)		
	OSSD 1&2	OSSD 1	OSSD 2
OSSD 1&2	PL e	–	–
OSSD 1, OSSD 2	–	PL d ¹⁾	PL d ¹⁾
OSSD 1&2, OSSD 1, OSSD 2	PL d ¹⁾	PL c	PL c

¹⁾ in accordance with diagnostics

Webcode 5184
Online information at www.pilz.com



Pilz GmbH & Co. KG, Felix-Wankel-Straße 2, 73760 Ostfildern, Germany
Telephone: +49 711 3409-0, Telefax: +49 711 3409-133, E-Mail: pilz.gmbh@pilz.de