



EZH 5242 – 2.0 Megapixel full HDcctv day/night outdoor IR camera with progressive scan and WDR, automatic IR cut filter

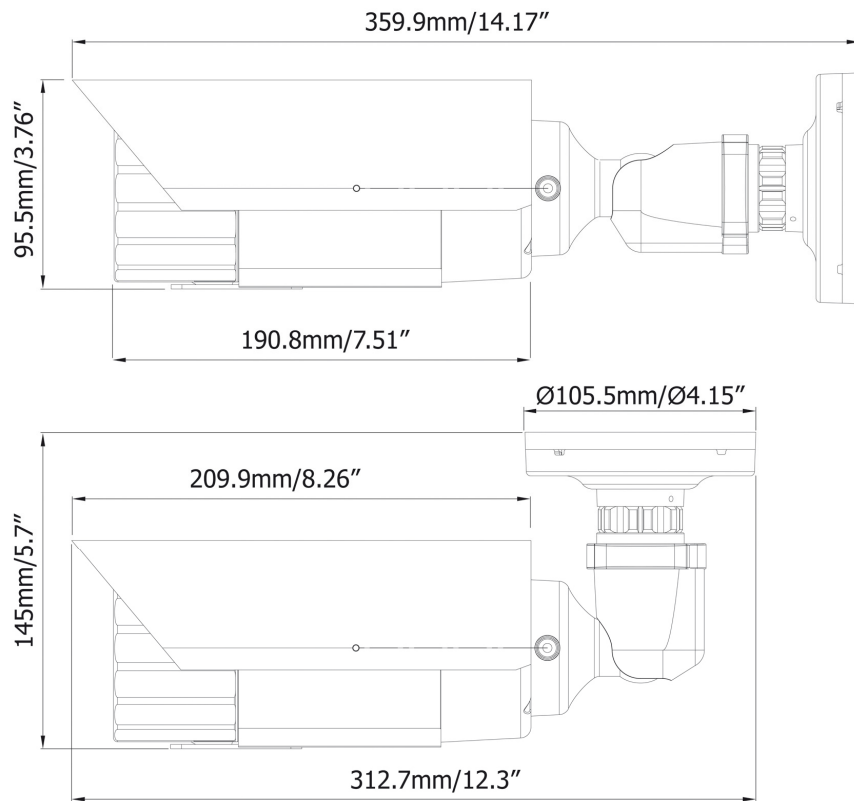
Features

- HDcctv 2.0 Megapixel real time 1920 x 1080 (1080p) HD video over coax
- 2.0 Megapixel progressive scan CMOS sensor
- Built-in DC Megapixel varifocal lens, f=2,8~10mm
- Day/night function with automatically swiveling IR cut filter
- Enhanced exposure control with WDR, BLC, HSBLC, DSS
- On-screen programming
- Dual video output: Megapixel HD-SDI (BNC) plus SD TV out (adaptor cable) for installation
- IR distance up to 40 m (depending on reflections in scenery)
- 8 programmable privacy zones

| Technical data | |
|---------------------------------------|--|
| Pickup device | 8,5mm (1/3") Panasonic 2.0 Megapixel Colour Progressive CMOS sensor |
| Image pixels | 1920 (H) x 1080 (V) with 2,75µ x 2,75µ pixel size |
| Effective sensor area | 5,28mm (H) x 2,97mm (W) // ø 6,06mm area diagonal |
| Viewing angle | Wide end: diagonal: 94,5° // horizontal: 86,6° // vertical: 55,9° Narrow end: diagonal: 33,7° // horizontal: 29,6° // vertical: 16,9° |
| Sensitivity | Colour: 0,15 lux / F1.2 / AGC low / Slow Shutter off; 0,03 lux / F = 1.2 / AGC high / Slow Shutter off; B/W: 0,01 lux / F1.2 / AGC high, Slow Shutter 10x / 0 lux (IR LED ON) |
| S/N ratio | 50 dB max. |
| Video format main output | HD-SDI / HDcctv 1080p30, 1080p25 |
| Resolution main output | 1920 x 1080 / 2 Megapixel |
| Main output connector | BNC socket |
| Video format test output | NTSC / PAL selectable, 1 Vp-p |
| Test output connector | Pin header (adaptor cable to BNC included) |
| Lens type | DC Iris Megapixel varifocal lens, f = 2,8 ~10 mm |
| IR distance | up to 40 m (depending on reflections in scenery) |
| IR wavelength | 850 nm |
| Day/night control | Automatically swiveling IR cut filter |
| OSD | Yes (controlled from 5-axis joystick) |
| Electronic shutter | Auto / manual, selectable |
| DSS Digital Slow Shutter | 2x ~ 60x |
| WDR | Off / low / medium / high |
| Backlight compensation | Off / BLC (select areas from 8x15 grid) / HSBLC (4 zones programmable for size and location) |
| AGC | Low / middle / high |
| Auto white balance | ATW / push / manual / indoor / outdoor |
| DNR | Common level adjustment 0 ~ 100 // 2D DNR on/off / 3D DNR on / off / EF DNR on / off |
| Enhanced Contrast Technology (EFFECT) | Low / middle / high |
| Digital zoom | 2x ~ 64x with optional PiP mode for ease of electronic pan/tilt alignment |
| Motion identification | On-screen highlighting of changing areas |
| OSD text colour control | Custom camera title; ability to change text display colour and turn black Text outline on/off to contrast with scene |
| Image flip | Off/H // flip/V // flip/HV // flip (rotate 180°) |
| Privacy zones | 8 areas, independently adjustable for size, location, colour |
| Dead pixel compensation | Dynamic method on/off/auto Static method on/off; separate adjustable threshold levels |
| Weatherproof rating | IP 66 |
| Power source | 12 V DC / 24 V AC |
| Power consumption | 7,8 W max. (12 VDC) // 10 W max. (24 V AC) |
| Ambient temperature | -40°C ~ +50°C |
| Dimensions (HxL) | 145 x 312,7 mm |
| Weight | 1,5 kg |

EZH5242_db_en_rev01

Dimensions



Ordering information

| | |
|------------|---|
| EZH 5242 | 2.0 Megapixel full HDcctv day / night outdoor IR camera with progressive scan and WDR, automatic IR cut filter, 12 VDC/24 VAC |
| AP12D152E1 | Power supply, 230 V AC / 12 V DC, 1.500 mA |

EZH5242_db_en_rev01