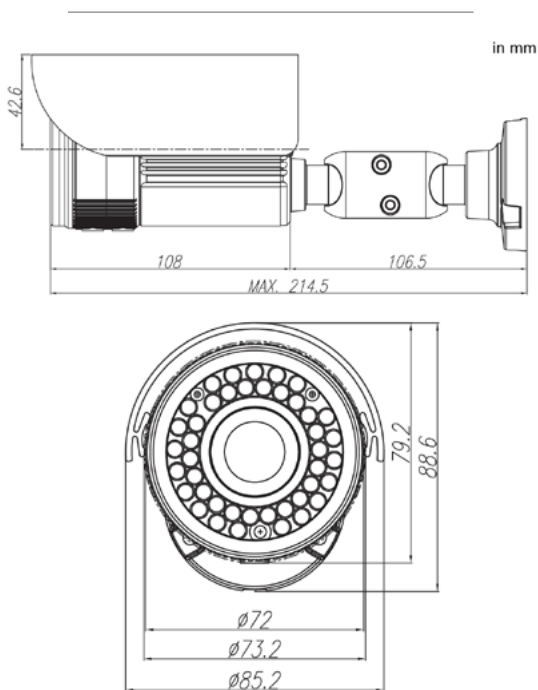


The performance features at a glance

- H.264 & MJPEG, 2,0 Megapixel
- 42 integrated LEDs, ~25m range
- Mechanical Day-/Nightswitching
- 3,3mm - 12mm Vario lens with P-Iris
- Zoom and Focus configurable via network
- Dualstream
- ONVIF compatible



High versatility

The ZN-B2MAP from the well-known PixelPro series impresses with its compact design and it can therefore be installed discreetly when required. This camera is particularly suitable everywhere where 24/7 surveillance is necessary thanks to the 42 integrated infrared LEDs.

Outstanding advantages

The mechanical day/night toggling function guarantees sharp pictures, regardless of whether in daylight or when the IR LEDs are in use. The range is roughly 25 metres and the beam angle 30°. As a result, larger areas can be optimally illuminated.

High-performance technology

H.264 compression is supported as well as MJPEG. Dual stream is also supported. A 3.3mm - 12mm varifocal lens is integrated, thus covering a wide variety of applications.

Other special features

Different security measures protect against unauthorised access. Alongside password protection for access to the camera, the network data can be securely transferred using HTTPS.

The P-Iris provides improved depth of field and has a particularly positive impact in the megapixel range.

Order data

Order number	Product description
ZN-B2MAP	H.264 mechanical day/night bullet camera with 2.0 MP Full-HD resolution, 3.3 mm - 12 mm, P-iris, focus and zoom adjustable per remote, integrated IR LEDs approx. 25m range, dual stream (H.264, MJPEG), 1/2.5" progressive scan CMOS sensor

PixelPro IP-Bulletcamera ZN-B2MAP



Advantages for the installer

The camera can be installed and configured quickly. A bracket is included in the scope of delivery. Furthermore, you can optimally adjust all settings selectively using the web-based configuration.

This includes the ability to zoom and focus using the Internet Explorer browser setup. The power supply can also be done via PoE.

Technical specifications	ZN-B2MAP
CCD	1/2.5" Progressive Scan CMOS
Compressionsformat	H.264, MJPEG
Max. Resolution	1920 x 1080
Resolution options	1920 x 1080, 1440 x 1080, 1280 x 1024, 1024 x 768, 1280 x 720, 640 x 480 (VGA), 320 x 240 (QVGA), 704x576 (4CIF), 352x288 (CIF)
Effective pixel	2112 x 1728
Video framerate	2.1 fps - 25 fps
Lens	3.3mm - 12mm
Iris control	P-Iris
S/N ratio	50dB or more
Video output	1 x BNC 1 Vp-p/75Ω
Alarm in/-output	1 / 1
Audio in/-output	1 / 1
Audiocodec	G.711
Day/night switching	Mechanical
Minimum illumination	1,25 lux (color), 0,15 lux (B/W)
Infrared	42 IR-LEDs, 30°, ca. 25m distance
AGC/BLC	Yes / Yes
Network interface	10/100 BaseT
Protocols	IPv4/6, HTTP, HTTPS, SMTP, UPnP, DNS, DynamicDNS, NTP, RTSP, RTP, TCP, UDP, IGMP, RTCP, ICMP, DHCP, ARP
Security	Passwordprotection, HTTPS, IP-Adressfiltering
Alarm event	E-Mail-Alert, FTP-transfer, Videostream with alarmstatus
Remote access	IE 7.0+, Firefox, Chrome, PDA/Smartphone
Micro SD-card	SDHC compatible
Motion detection	4 zones, 10 sensivity steps
Power source	12VDC, 24VAC(50Hz/60Hz)
PoE	Yes (802.3af)
Power consumption	12 VAC 412mA
Operating environment	-20°C ~ 50°C
Materials	Aluminium
Weight	740g

CBC (Deutschland) GmbH
Hansaallee 191
D-40549 Düsseldorf
T: +49-(0)211 53 06 70
F: +49-(0)211 53 06 71 80
info@cbc-de.com
www.cbc-de.com

CBC (Poland) Sp.z.o.o
Oddział w Warszawie
Ul. Krasynskiego 41A
PL-01-755 Warsaw
T: +48-(0)22 6 33 90 90
F: +48-(0)22 6 33 90 60
info@cbcpoland.pl
www.cbcpoland.pl

CBC Russia Moscow Rep. office
7, Bolshoy Strochenovskiy lane
5th floor
RU-115054 Moscow
T: +7-495 7 10 88 83
F: +7-495 7 10 88 84
info@cbc.ru
www.cbc.ru

CBC (Europe) Ltd. Ufficio di Milano
Via E. Majorana, 2
I-20834 Nova Milanese (MB)
T: +39-0362 36 50 79
F: +39-0362 4 00 12
info@cbceurope.it
www.cbceurope.it

CBC CORPORATION (INDIA), PRIVATE LTD
2F B Wing, Marwah Centre
Krishanlal Marwah Marg
Andheri East, Mumbai 400 072, India
T: +91 22 2857 9798
F: +91 22 6649 1708
enquiry@cbcindia.jp

CBC (Europe) Ltd.
7/8 Garrick Industrial Centre
Irving Way
UK-NW9 6AQ London
T: +44-(0)20 87 32 33 10
F: +44-(0)20 82 02 33 87
info@cbcuk.com
www.cbceurope.com