

1.3 Megapixel Bullet Network HD Camera



OB-130N Series

- Sony Exmor CMOS Sensor and ISP
- 1.3 MP and HD (720p) Resolution with Superior Night Vision
- H.264, MPEG-4 and MJPEG Triple Codec Compression
- High Power POE(Power Over Ethernet)
- Built-in Micro SD/SDHC Memory Card Slot for Local Storage (*)
- Smart Focus to Get Excellent Image Quality Easily (*)
- IEEE 802.11a/b/g/n Compliance (*)
- Built-in 3G SIM slot (*)
- IP67 Outdoor Enclosure Built-in Fan and Heater (*)

Camera Accessory



CI-807 / CI-812 (OB-130Np)
Camera Bracket



GEM04-222008A
Wi-Fi Dual Band Omni Antenna



GEM07-15072A
3G Antenna



GEM04-222060
Wi-Fi Dual Band Antenna



GEM04-222070
Wi-Fi Dual Band Patch Antenna

Network Equipments



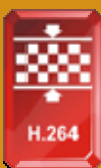
DWRT-600N
Dual-Band Wireless N Router



POE30U
PoE Injector



Megapixel



H.264



D/N



POE



Micro
SD/SDHC
Card



Dual-Band
Wireless N

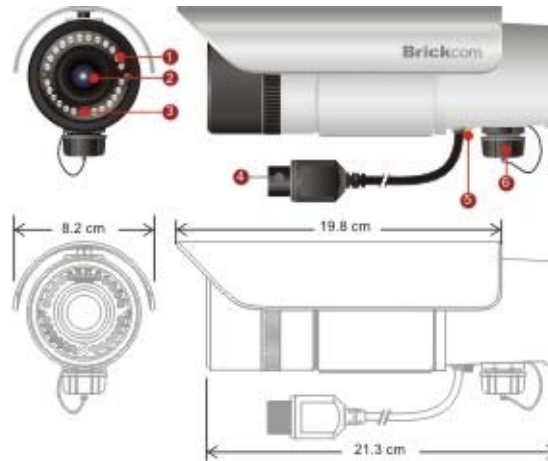


3G
UMTS
HSPA



IP67
Water Proof

Dimension Diagram (OB-130Np Series)



1. IR LED
2. Lens
3. Light Sensor
4. RJ45 Connector 1 (for Ethernet and High Power POE)
5. Antenna Connector
6. RJ45 Connector 2 (for Audio in/out, RS485, DIDO)

OB-130N Series

Camera

Model Number **OB-130Np** - Outdoor/ 1.3 Megapixel/ IR LED/ 2 way Audio/ Micro SDHC/ Ethernet/ POE/ DIDO/ RS485/ Weather-Proof (IP67)/ Smart Focus/Build in Fan and Heater
WOB-130Np - Outdoor/ 1.3 Megapixel/ IR LED/ 2 way Audio/ Micro SDHC/ Ethernet/ POE/ Wi-Fi/ DIDO/ RS485/ Weather-Proof (IP67)/ Smart Focus/Build in Fan and Heater
GOB-130Np - Outdoor/ 1.3 Megapixel/ IR LED/ 2 way Audio/ Micro SDHC/ Ethernet/ POE/ 3G/ DIDO/ RS485/ Weather-Proof (IP67)/ Smart Focus/Build in Fan and Heater

Hardware System CPU: 500 MHz
Flash: 16M
RAM: 128M DDR

Image Sensor Sensor Type : 1/3" Sony CMOS 1.3 Megapixel Sensor
Sensor Resolution: 1280 x 1024 pixel
Minimum Illumination:
0.2 Lux / F1.3 (Without IR LED)
0 Lux / F1.3 (With IR LED)

Lens Lens Type: Moto-focal with Auto-Iris, IR corrective
Focal Length: f= 2.8~10 mm, 3.6X
View Angle (Hor): 100.04° ~27.39° (Ver): 73.30° ~20.46° (Dia): 129.10° ~ 34.30 °

Day & Night Support Mechanical ICR and 24pcs IR LEDs, Triggered by sensor
IR distance: 15m
IR wavelength: 850nm
Bean Angle: 40°

Video

Video Image Compression H.264 / MPEG4 / MJPEG

Video Setting Auto Exposure Control: Sport, Normal, Night Vision, User Defined
Auto Gain Control: 1X~5X
Shutter Speed: 1/30000~1s

Image Resolution **5:4**
- 1280 x 1024
- 640 x 512
- 320 x 256
16:9
- 1280 x 720
- 640 x 352
- 320 x 176
4:3
- 640 x 480
- 320 x 240

Frame Rate at Max. Resolution H.264: 25 fps
MPEG4: 15 fps
MJPEG: 15 fps

Audio

Audio Streaming Two-way audio support

Audio Compression G.711, AMR (8 kHz, Mono, PCM)

Audio Input External microphone or line input (Unbalanced, 1.4 Vp-p, 1 Vrms)

Audio Output Line output

Network

Communication Ethernet: one 10/100Mbps RJ-45 IEEE 802.11a/b/g/n compliance (**WOB-130Np**)
HSUPA/UMTS 850/1900/2100 (**GOB-130Np**)
Supported Protocols: TCP/IP, UDP, ICMP, DHCP, NTP, DNS, DDNS, SMTP, FTP, HTTP, Samba, PPPoE, UPnP, RTP, RTSP, RTCP, Wireless 802.11 a/b/g/n (**WOB-130Np**)

General

Interface & Buttons DC Power Connector
Ethernet Cable Connector
Terminal Block1 (General I/O)
Terminal Block2 (AC24V, RS485)
External MIC/Line Input
External Audio output
Reset Button
Detachable Antenna Connector (**WOB-130Np**)

Power input High Power PoE / DC48V/0.8A

LEDs Status (Power/Link)

Power Consumption Max Power Consumption: 30 watts

Environment Water Proof: IP67
Operating Temperature: -40°C ~ 60°C (-40°F ~140°F), build in fan and heater
Operating Humidity: 10% ~ 80%

Dimension - 70(D) * 166(H) mm

Weight **OB-130Np** - Net: 1100 g
WOB-130Np - Net: 1150 g
GOB-130Np - Net: 1150 g

Humidity 10% ~ 80%

Certification FCC, CE

Warranty Limited 2-year warranty

(*) These are optional features. Please refer to the Buying Guide for the full list of optional features available for this product.