



EMD 300 – 8,5mm (1/3") weather- and vandal-proof day/night mini dome camera for mobile use, high resolution

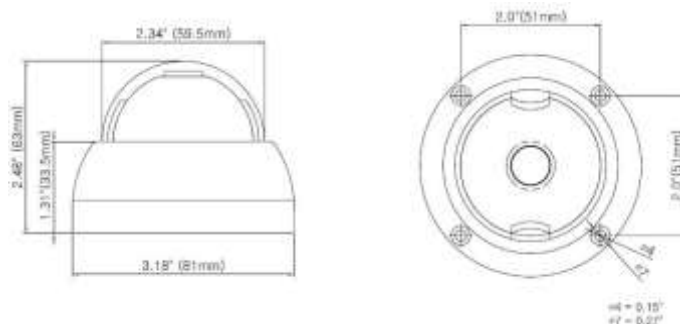
Features

- High resolution technology (550 TV lines)
- IP67 weatherproof and vandal-proof outdoor housing
- 3-axis positioning for flexible selection of viewing angle
- day/night operation
- low power consumption
- available with black or silver base

Technical data

Sensor	8,5 mm (1/3") SONY Super HAD CCD II
Scanning system	2:1 interlace
Scanning frequency	15.625 KHz (H), 50 Hz (V)
Horizontal resolution	550 TV lines
Sensitivity	0,05 lux
Total pixels	795 (H) x 596 (V)
Effective pixels	752 (H) x 582 (V)
S/N ratio	> 45 dB (AGC off)
Gamma correction	0,45
Video output	1 Vp-p composite PAL, BNC
Lens	3,6mm fixed board lens included
Back light compensation	automatic
AGC	automatic
Synchronisation	internal
Electronic shutter	1:50 ~ 1:100.000
Weatherproof rating	IP 67
Power source	12 V DC +/- 10%
Power consumption	max. 1W
Ambient temperature	operating temp.: -10°C ~ +50°C // storage temp.: -20°C ~ +60°C
Dimensions (Ø x H)	81 x 63 mm
Weight	216 g

Dimensions



EMD300_db_en_rev01

Available models



EMD 300 / P-3B - mini dome camera EMD 300 with black base



EMD 300 / P-3S – mini domecamera EMD 300 with silver base

Ordering information

EMD 300 / P-3B	8,5mm (1/3") weather- and vandal-proof day/night mini dome camera for mobile use, high resolution, 550 TV lines, incl. 3,6mm fixed board lens, 12 V DC, colour: black base
EMD 300 / P-3S	8,5mm (1/3") weather- and vandal-proof day/night mini dome camera for mobile use, high resolution, 550 TV lines, incl. 3,6mm fixed board lens, 12 V DC, colour: silver base
AP12A122E0	Power supply, 230 C AC / 12 V DC, 600 mA