

LATAB
Industrial LED Lighting

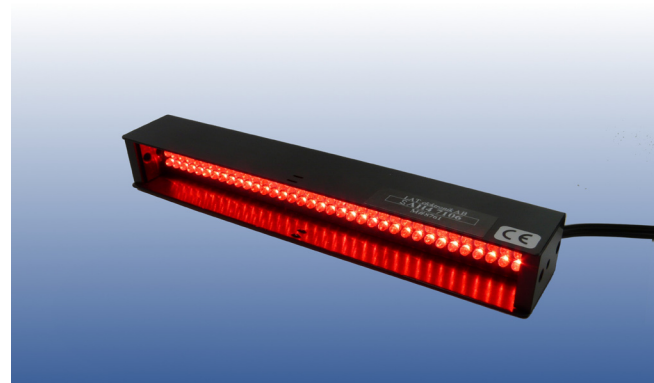
Line Light, 1 Line

A small front light, housed in 1 mm black aluminium.

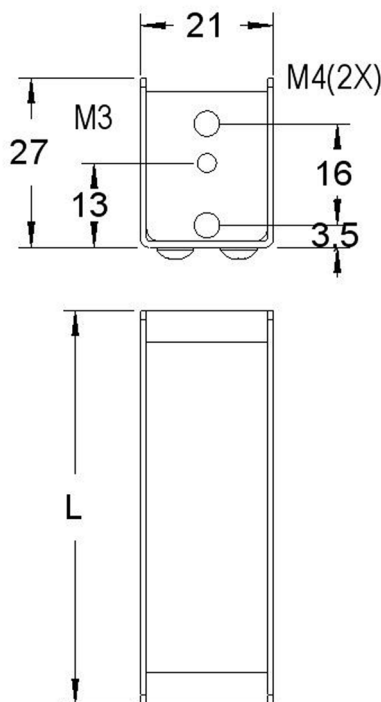
The width is only 21 mm and the length is from 50 mm to 446 mm (modules of 36 mm).

Very easy to customize applications.

SAH Series



Mechanical dimensions



Specifications

The line light can be used either for steady state or strobe light together with LATAB control units. Supplied with 1 meter cable as standard, longer cable on demand, see section Options.

CE approved and RoHS compliant.

Ordering information

| Length L | Model | Controller* |
|----------|-----------|-------------|
| 50 mm | SAH4 1050 | 1A/8A |
| 86 mm | SAH4 1086 | 1A/8A |
| 122 mm | SAH4 1122 | 1A/8A |
| 158 mm | SAH4 1158 | 1A/8A |
| 194 mm | SAH4 1194 | 1A/8A |
| 230 mm | SAH4 1230 | 1A/8A |
| 266 mm | SAH4 1266 | 1A/8A |
| 302 mm | SAH4 1302 | 1A/8A |
| 338 mm | SAH4 1338 | 1A/8A |
| 374 mm | SAH4 1374 | 1A/8A |
| 446 mm | SAH4 1446 | 1A/8A |

* Steady state / Strobe mode

Accessories

Split diffusor: add suffix "S"

For two single line with one connector, order 2xSAH4 71YY

Options

Customized cable length: e.g. add "2 m" to the article No.

Copyright © 2009 LAT elektronik AB • www.latab.se

Member of the Polytec Organization 

LAT elektronik AB
Krossgatan 18
SE-162 50 Vällingby
Sweden
Phone: +46 8704 9225 • e-mail: info@latab.se