



# BF359/3

## STAINLESS STEEL ENCLOSURES

Add a touch of flair to your fire alarm, disabled refuge and call system installations with our new BF359/3 range of brushed stainless steel enclosures.

Designed to enhance the appearance of our XFP fire, SigTEL disabled refuge and Quantec control equipment, the range is ideal for use in prestigious buildings and/or applications where vandalism is an issue.

Finished in high quality brushed stainless steel with a glazed polycarbonate front window, each enclosure requires one of two lock kits - the BF359/3CL cam lock kit or the BF359/3SL solenoid lock kit



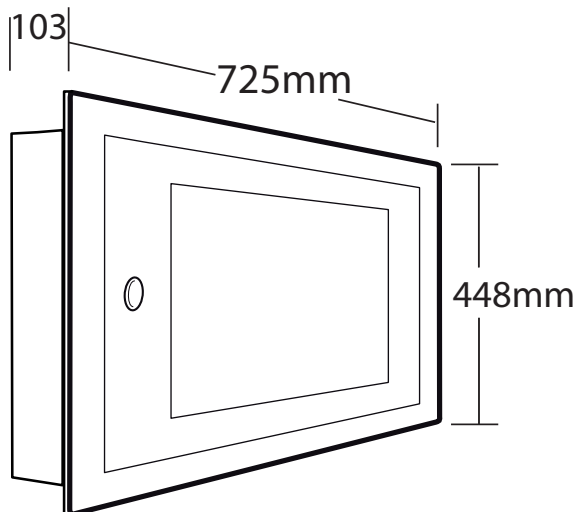
- Finished in high quality brushed stainless steel with a glazed polycarbonate window and mild steel back box
- Attractive, tamper resistant design
- Deep and shallow versions available
- BF359/3S Shallow version is compatible with XFP 1-2 loop 32 zone fire panels and repeaters, AFP 1-2 loop 32 zone fire panels and repeaters, QT601-2 Quantec Controllers and ECU-8NT SigTEL disabled refuge controllers (no handset version)
- BF359/3D Deep version is compatible with ECU-8 SigTEL disabled refuge master controllers
- Two lock kits available
- BF359/3CL cam lock kit includes a simple pull knob or key-operated camlock
- BF359/3SL solenoid lock kit can be configured using third-party equipment to automatically unlock the enclosure in an emergency
- Easy to clean and maintain
- Ideal for use in prestigious buildings/reception areas or for protecting control panels situated in unmanned areas

## BF359/3 Range Technical Specifications

Enclosure materials..... Stainless steel door & bezel, polycarbonate window, mild steel backbox  
 Weight ..... BF359/3D = 11.1kg; BF359/3S = 9.3kg  
 Colour ..... RAL7005(MouseGrey)  
 Type of lock ..... Pull knob or key operated camlock (BF359/3CL); Solenoid release (BF359/3SL)  
 Overall dimensions / cut out details ..... See diagrams below  
 Flush-mount depth for wall fixing .....BF359/3S = 93mm; BF359/3D = 183mm

### BF359/3S Shallow Enclosure

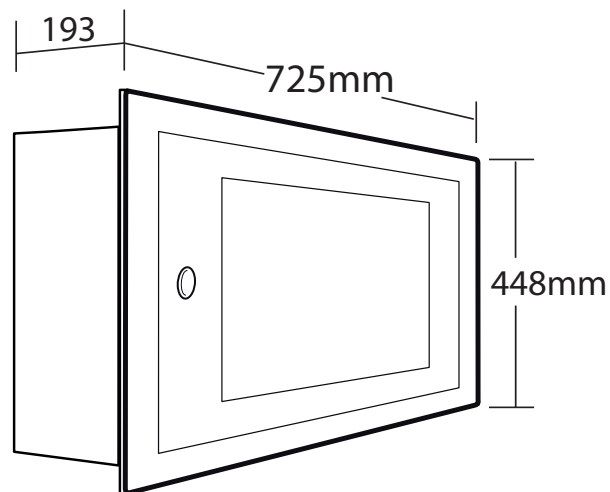
Dimensions shown are overall dimensions including bezel - see cut out diagram for cut out details



Compatible with:  
 XFP 1-2 loop 32 zone fire panels and repeaters,  
 AFP 1-2 loop 32 zone fire panels and repeaters,  
 QT601-2 Quantec Controllers and  
 ECU-8NT SigTEL disabled refuge controllers  
 (no handset version)

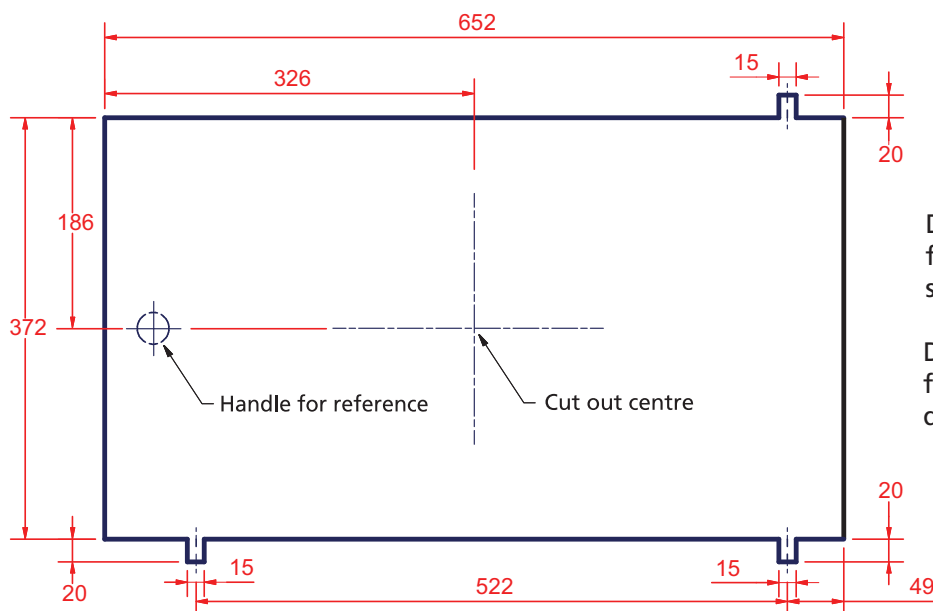
### BF359/3D Deep Enclosure

Dimensions shown are overall dimensions including bezel - see cut out diagram for cut out details



Compatible with:  
 ECU-8 SigTEL disabled refuge master controllers

### Cut out diagram



Depth of hole required for flush mounting BF359/3S shallow enclosure: 93mm

Depth of hole required for flush mounting BF359/3D deep enclosure: 183mm