



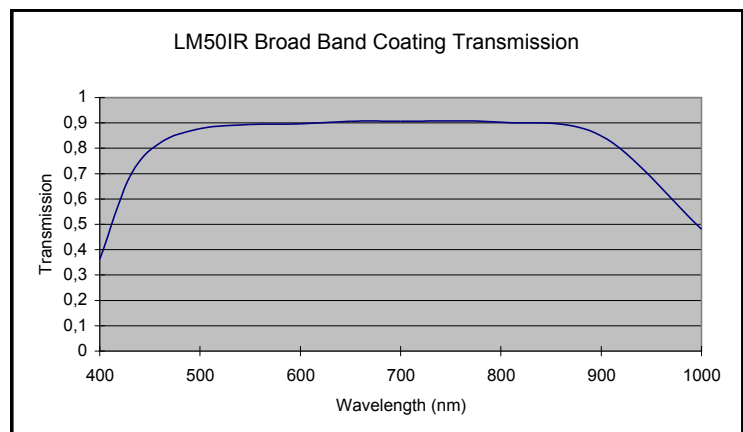
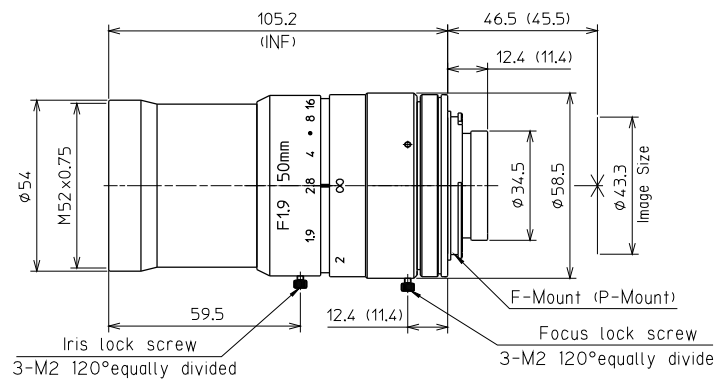
Large Format LM50-IR



Main Characteristics

- IR Corrected Design
- Broad Band Coating
- Low Distortion
- Large Format $\phi 43.3\text{mm}$

Model Name		LM50-IR
Focal Length (mm)		50
Image Format (mm)		$\phi 43.3$
IR Corrected Design		400-1000nm
Iris Range		F1.9~F16
Focusing Range (m)		0.5~ ∞
Control	Iris	Manual
	Focus	Manual
TV Distortion at $\phi 43.3$		-0,54%
at $\phi 22.5$ (1.2"Format)		-0,18%
at $\phi 16$ (1"Format)		-0,12%
Back Focal Length in air		34.6mm
Mech. Back Focal Length in air		34.1mm
Mount		F-mount , P-mount
Flange Back (F-Mount)		46.5mm
Flange Back (P-Mount , M42x1)		45.5mm
Filter size (mm)		M52 x 0.75
Size (mm)		$\phi 58.5 \times 117.5$
Weight (g)		600g (Preliminary)
Temperature Range		-10°C~+45°C



Kowa Europe GmbH

Immermannstr. 43B
40210 Düsseldorf
Germany
Tel: +49-(0)211-179354-29
Email: c-offermann@kowaeurope.de