

AS-Interface Safety at Work safety monitor with integrated gateway GMOx



- ▶ With integrated Profibus gateway
- ▶ One or two AS-i masters
- ▶ Display and buttons for diagnosis and settings
- ▶ Memory card with different operation modes
- ▶ Adjustable time delay
- ▶ 16 outputs



Gateway connection to Profibus

For the connection to the Profibus DP as a slave and as a master for one AS-I bus acc. to specification 3.0. Earth fault detection, detection of double addressing and EMC problems. Quick set-up by means of the display without the PC. Immediate indication of faults by clear-text messages. Extensive AS-Interface diagnosis integrated. AS-Interface configuration software available.

Output signal switching devices (OSSD)

- ▶ Two OSSDs with two redundant NC contacts each
- ▶ Two OSSDs with semi-conductor outputs
- ▶ 12 additional, safe AS-i outputs, programmable

Inputs

- ▶ 4 inputs, freely usable

Logic functions

Programmable by the AS-i Mon software. All safety components with their different functions are programmable as inputs. The inputs can be linked to AND gates OR gates and other logic functions as FlipFlop, time-delayed switch-on and switch-off or pulses.

It is possible to store the programs in different operation modes on a memory card.

AS-Interface Monitor

The monitor controls two AS-Interface circuits with up to 62 safe slaves and up to 16 outputs.

Display and buttons

The display serves for the gateway functionality and at the same time, for the monitor. The diagnosis and the maintenance functions are considerably enhanced compared to the SFM monitors. They can be accessed by means of the display, even without using the PC.

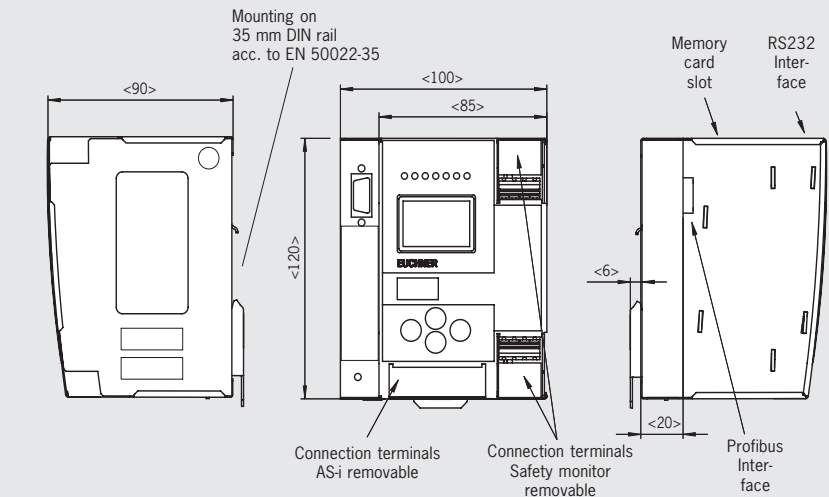
Ordering table

Series	Bus connection	AS-i Master	Number of AS-i outputs	Power supply	Order number / item
GMOx	PR Profibus	1	16	N	103 267 GMOX-PR-12DN-C16
		2	16	N	103 302 GMOX-PR-22DN-C16
		1	16	S	103 373 GMOX-PR-12DS-C16
		2	16	S	103 374 GMOX-PR-22DS-C16

1) UL approval pending

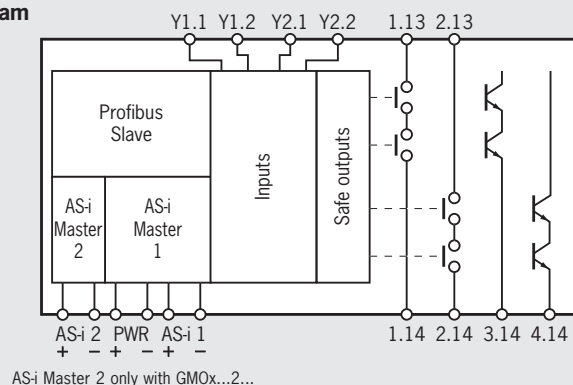
Safety monitor GMOx

Dimension drawing



Please order connection set separately; see page 25

Block diagram



For pin assignment, see technical data on Page 44

Security functions that permit protection and monitoring of the programmed functionality are integrated.

Important: one connection set must be ordered for each safety monitor (see page 25).

Power supply

Version S is suitable for connection to a conventional AS-i power supply unit. Version N permits connection of several GMOx devices to the same power supply unit.

