

**NEW!**

**GEUTEBRÜCK**  
Video Security that pays off.



## re\_reporter – the flexible hybrid Recorder!

- DSP technology – flexible and powerful.
- MPEG4CCTV – real-time in compression and decompression.
- Pre-installed software – switch on and get started.

# re\_porter: hybrid – flexible – and powerful!

His name hits the mark: re\_porter.  
He reports – informs – alerts. That's it.

Latest DSP\* based system architecture, high functionality and full signal processing in real-time distinguish him from others. As well as his excellent picture quality.

His capacity follows your needs. Add unit to unit, control panel to control panel. Networking turns it into one system. With pre-installed software you can start working right away, still numerous options allow project specific adaptation to your needs.

His decisive advantage: Due to flexible, future oriented DSP technology re\_porter is up to date. Always. Simply install new function packages and get started.

re\_porter. Hybrid, flexible, quick and a convincing package. Ideal for the broad market, nationally as well as internationally.

*\* digital signal processor*



# re\_porter – powerful hybrid Recorder and digital Matrix!

re\_porter is offered with 4, 8, 12 or 16 analog camera channels (BNC sockets) – quite a comprehensive range.

As a hybrid recorder he supports analog, network and even megapixel cameras of all well-known suppliers. re\_porter is not only suitable for a variety of applications but allows as well easy and smooth transfer from analog to digital camera technology.

For free choice of cameras and optimum picture quality – today and tomorrow.



*With GSC View re\_porter turns into a digital matrix: Crossmedia, offering a free choice of GEUTEBRÜCK elements.*



**GEUTEBRÜCK**

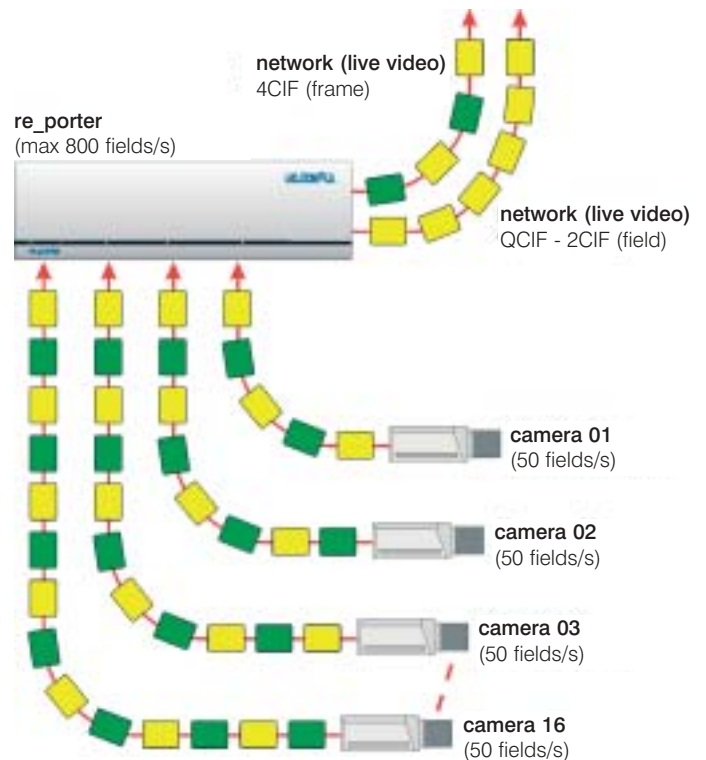
# Recording is fully independent of Livestreaming – in Real Time!

The permanent and event triggered recording is possible with a maximum picture frame rate of 25 pictures/s per channel - at all picture formats, fully independent of live picture transmissions in the network (Dual Channel Streaming).

That means for example recording of events with utmost quality and details while watching simultaneously a critical situation with different resolution. Per channel any picture format is supported (QCIF, CIF, 2CIF and 4CIF), of course at all picture rates. Additionally the quality of live pictures can automatically be triggered by events.

re\_porter provides one audio channel and allows lip-synchronous replay for the chosen camera – since video and audio complement one another perfectly.

For a picture and sound quality as necessary. Always.





# MPEG4CCTV by GEUTEBRÜCK – Compression optimized for Video Surveillance!

Compression is effected in **MPEG4CCTV** by GEUTEBRÜCK, compression optimized for video surveillance but nevertheless compliant with all standards. **That's how re\_porter achieves real time in compression and decompression.**

For fast network transmission of video streams and very fast decompression at the workstation.

The resulting low latencies allow:

- excellent image quality,
- pictures with fluid motion, even in time synch or backwards
- optimized operation of fast pan/tilt heads and dome cameras.

The pictures of several cameras can be displayed on a monitor four times faster than with conventional methods. **Once selected, the picture quality is guaranteed - details remain recognizable even with fast and massive motion within the picture!**

On top our intelligent compression dynamic optimizes network load and requirements for storage capacity. A clear advantage compared to conventional H.264 compressions methods!

**GEUTEBRÜCK**

# re\_porter – the Bandwidth Manager!

Bandwidths are the weak point of every network. re\_porter protects them in multiple ways due to intelligent bandwidth management:

## Only requested data is transferred!

For live images pictures are only transmitted in the size requested by the user: A larger viewer means higher, a smaller one lower data streams. We call it Dynamic Live Streaming – for reasonable network loads. The quality and resolution of recorded pictures remain as defined.

**Bit rate and picture quality are adapted automatically to the event** – in real time, dynamically and latency free. The integrated ActivityDetection in the DSP triggers our intelligent compression dynamic and ensures high quality documentation with low storage requests: Only massive motion in the picture generates fully coded reference frames, otherwise mainly differential frames with little storage needs are produced (dynamic GOP size control).



Elegant aluminium front panel.



Directly on the front panel and therefore easy to reach: Simple connection of external discs with USB sockets. Quick triggering (eg off a backup) with extra switch.

## Important Element – perfectly fits into the GEUTEBRÜCK System Architecture!

Project-specific and optional features can be activated from the pre-installed basic software package. Via network one operator unit can be run either directly or separately in the system. **Set-up in record time. Economical.**

You choose the design of the operating interface in GSCView. Select the control elements which are important to you and hide all others. Arrange the viewer windows according to your preferences and needs – making use of the full screen (4/3, 16/9).

re\_reporter is as well compatible to GeViSoft, the GEUTEBRÜCK video management system. For a convenient uniform user interface. Economical and efficient.

The well proven Activity Detection is part of the package – pre-configured and user friendly. Oh – it is free of charge.

Of course re\_reporter perfectly fits into our GEUTEBRÜCK system architecture - another important element. **Easy to use.**



*ARGUS  
high speed pan-tilt system  
with MBeg/GCT-3X-LAN  
multifunction operator key-  
board.*

## Smart Backup Function – all inclusive!

It is comprehensive, it is pre-installed, it is free of charge.

**It allows backup locally or via network:**

- manually started via the user interface
- time or
- event triggered.

An excellent function for automatic redundancy of important information.

Older backup data can be deleted automatically. Data export for evidence purposes or long term archiving is very simple. Safeguard in standard formats or in the GEUTEBRÜCK picture format – protected against manipulation.

Redundancy – easy and reasonable.

# GEUTEBRÜCK – your international Expert for Video Security that pays off.



## 5 good reasons for GEUTEBRÜCK:

- For more than 35 years GEUTEBRÜCK has been specialising in innovative CCTV solutions.
- As a family company we guarantee stability and continuity for future-proof security.
- Our solutions focus on your needs and offer additional benefits to provide high return on investment.
- We integrate our products into your processes and systems to perfectly fit your requirements.
- Our references speak for themselves: From the German Chancellor to Picasso and the Banque de France.

For GEUTEBRÜCK  
advice contact:

## GEUTEBRÜCK

GEUTEBRÜCK GmbH  
Im Nassen 7-9 • D-53578 Windhagen  
Tel. +49(0) 2645 137-0 • Fax -999  
info@geutebrueck.com • [www.geutebrueck.de](http://www.geutebrueck.de)