



*EEx pz
Control unit SILAS*

Features

- Easy to handle
- Ultra flat
- Separate purging gas input and output
- Stainless steel variant available

Description

The SILAS controller is used to control pressurised control cabinets in Zone 2 and 22.

Programming is simplified by equipping the controller with a power switch and a selector switch for displaying and adjusting the different pressure values and can be observed by means of an integrated display.

Three relays are available for signal and control functions. The status of the relays are additionally visualized by means of an associated LED display. Set points can be enquired and changed by means of control keys during operation.

Solution variants

- for small EEx pz control enclosures in Zone 2 including:
Silas Controller
Purge valve R 3/8"
1 x Pressure control device Type 17-51P3
- for large EEx pz control cabinets in Zone 2 including:
Silas Controller
Purge valve R 1/2"
1 x Pressure control device Type 17-51P3
- for all applications in Zone 22 including:
Silas Controller
Pressure reducer with leakage needle valve

Technical data

Operation

- LCD display
- 1 power switch
- 1 BCD switch to select which parameters are displayed
- 3 pushbuttons to change parameters
- 3 LEDs for displaying the states of the switching relay
- 1 connection socket for bypass switch

Weight

1.2 kg

Supply voltage

AC 120 V or 240 V, 50/60 Hz
DC 24 V

Relays

1. alarm relay, potential-free
2. control relay for purge valve
3. signal relay for transferring operating states

Explosion protection

Ex protection type

- ⊕ II 3G EEx nAC [pz] IIC T4 or T6
- ⊕ II 3TD A22 IP 65 T 80 °C

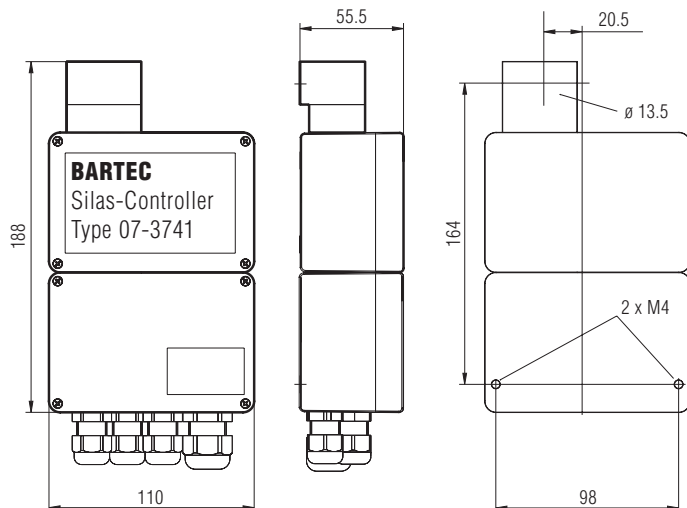
Certification

has been submitted

Ambient temperature range

-20 °C to +60 °C

Dimensions



Selection chart

Version	Code no.
AC 230 V	1
AC 115 V	2
DC 24 V	4

A7-3741-1110/ 000
➔ **Complete order no.**

Please enter code number.

Technical data subject to change without notice.