

ULTRARACK

Advanced Data Centre Enclosures

SR SERIES



LEAD

Designed for scaleable growth

The SR Series

ULTRARACK SR Series - Universal rack enclosure solutions for advanced storage, cooling, power distribution, cable management and security in data centres and network rooms.

Designed to accommodate today's powerful computing hardware and scaleable to cater for emerging high end blade server and equipment technologies that are rapidly appearing over the horizon - the world and the data centre environment is changing and a new generation of rack enclosure solutions is born for this change - it is the SR Series.



600mm Wide

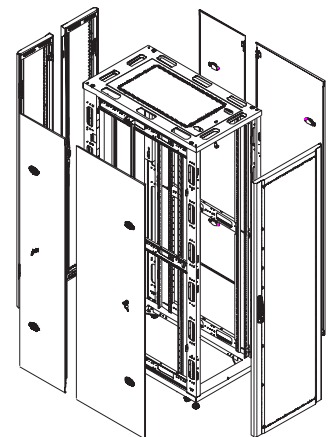


700mm Wide



800mm Wide

Model No.	Width		Depth				Height				
			Overall		Effective		Overall		Effective		
	mm	inch	mm	inch	mm	inch	mm	inch	mm	inch	
42U	SR-6942	600	24"	975	38"	900	35"	2,020	80"	1,955	77"
	SR-6042	600	24"	1,075	42"	1,000	39"	2,020	80"	1,955	77"
	SR-6242	600	24"	1,275	50"	1,200	42"	2,020	80"	1,955	77"
	SR-7942	700	28"	975	38"	900	35"	2,020	80"	1,955	77"
	SR-7042	700	28"	1,075	42"	1,000	39"	2,020	80"	1,955	77"
	SR-7242	700	28"	1,275	50"	1,200	42"	2,020	80"	1,955	77"
	SR-8942	800	31"	975	38"	900	35"	2,020	80"	1,955	77"
	SR-8042	800	31"	1,075	42"	1,000	39"	2,020	80"	1,955	77"
47U	SR-8242	800	31"	1,275	50"	1,200	42"	2,020	80"	1,955	77"
	SR-6947	600	24"	975	38"	900	35"	2,242	88"	2,177	86"
	SR-6047	600	24"	1,075	42"	1,000	39"	2,242	88"	2,177	86"
	SR-7947	700	28"	975	38"	900	35"	2,242	88"	2,177	86"
	SR-7047	700	28"	1,075	42"	1,000	39"	2,242	88"	2,177	86"
	SR-8947	800	31"	975	38"	900	35"	2,242	88"	2,177	86"
SR-8047	800	31"	1,075	42"	1,000	39"	2,242	88"	2,177	86"	



Overall Height: w/ castors
Effective Height: w/o castors

Overall Depth: Door to Door
Effective Depth: Frame to Frame



DELL™
PowerEdge™ Server
(2600 shown)



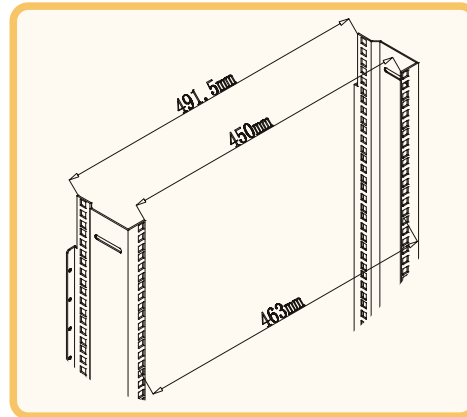
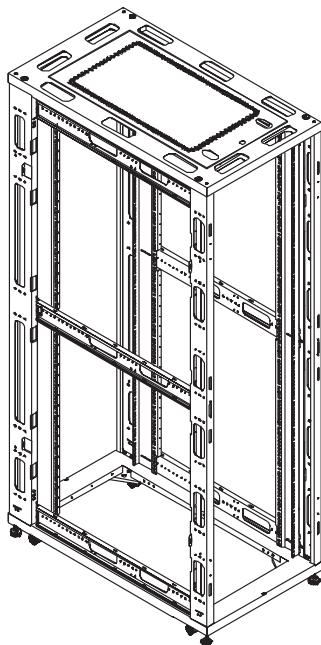
HP™
ProLiant™ Server
(DL380 G3 shown)



IBM™
xSeries™
(x305 shown)

All brand names, logo and registered trademarks are properties of their respective owners.

Manufacturer	Series
Apple™	Xserve G5™
Apple™	Xserve RAID™
DELL™	PowerEdge™
HP®	ProLiant™
HP®	Integrity™
IBM®	BladeCenter®
IBM®	eServer® Cluster
Sun™	Sun Fire™
Sun™	Sun Fire Blade™



Universal Storage

The SR Series rack provides an ideal equipment enclosure environment, designed around universal standards, for the compatible mounting of both OEM manufactured servers, from leading vendors such as IBM, HP, DELL and SUN, as well as all 19" rack mountable solutions.

While the Emerging technology of Blade servers cards allows for very high density computing power within a single rack it becomes mission critical to ensure that the enclosure is specifically designed to dissipate the additional heat generated and manage the increased power and cable requirements - the SR series is engineered to provide flexibility whilst maximizing your investment protection in both your technology and more critically your data storage.

Critical Advanced Cooling

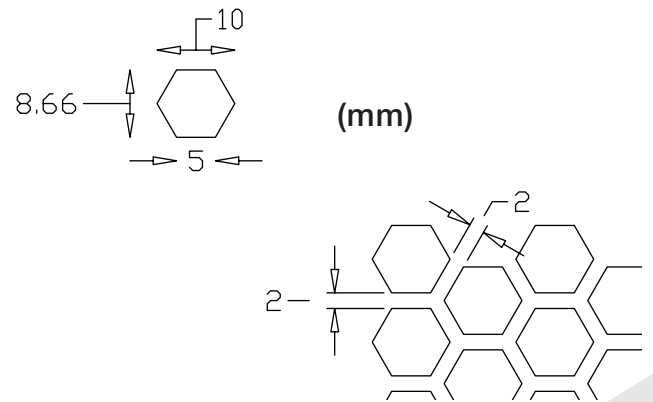
The **ULTRARACK** SR Series provides advanced storage flexibility while ensuring that versatile cooling requirements are fully catered for. Today, more than ever cooling is a critical concern due to the increasing density of high end or blade type servers - a fully populated rack of high end servers puts out approximately 40,000 BTU's or enough thermal energy to heat an average size home. Conventional cooling technologies and traditional style enclosures are no longer sufficient to stand up to this challenge.

The SR Series is designed and engineered, whilst providing absolute user flexibility, to meet these emerging thermal challenges.

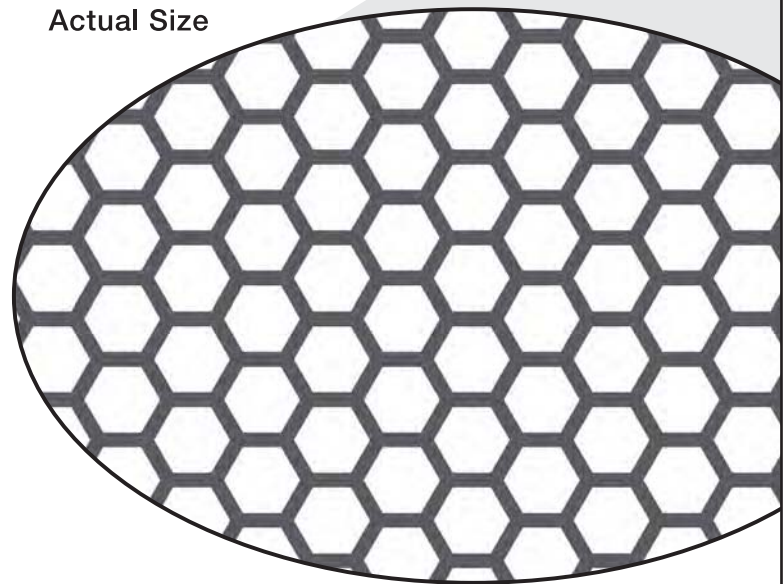
The SR series has a broad offering of design features and sophisticated cooling solutions to meet your specific requirements. Optimal thermal efficiency is gained via careful R&D in air flow direction and air throughput as well as heat exhaust - all are designed into the SR series from the rack frame structure out to the cladding - The SR series provides an ideal thermal management environment.

The SR Series achieves significant cooling efficiency through a number of outstanding design and engineering features: the expanded steel design of all enclosure doors gives 80% perforated area that ensures the ultimate in air pattern and flow. Our fully perforated top cover further enhances cooling capability for higher end servers. Quick release full height side panels prevent exhausting heated air from affecting neighboring racks when situated in rows.

Optional fans and custom designed enclosure cladding for the SR series are available to accommodate varying requirements All these cooling solution designs meet or exceed most major manufacturers specifications for air flow.

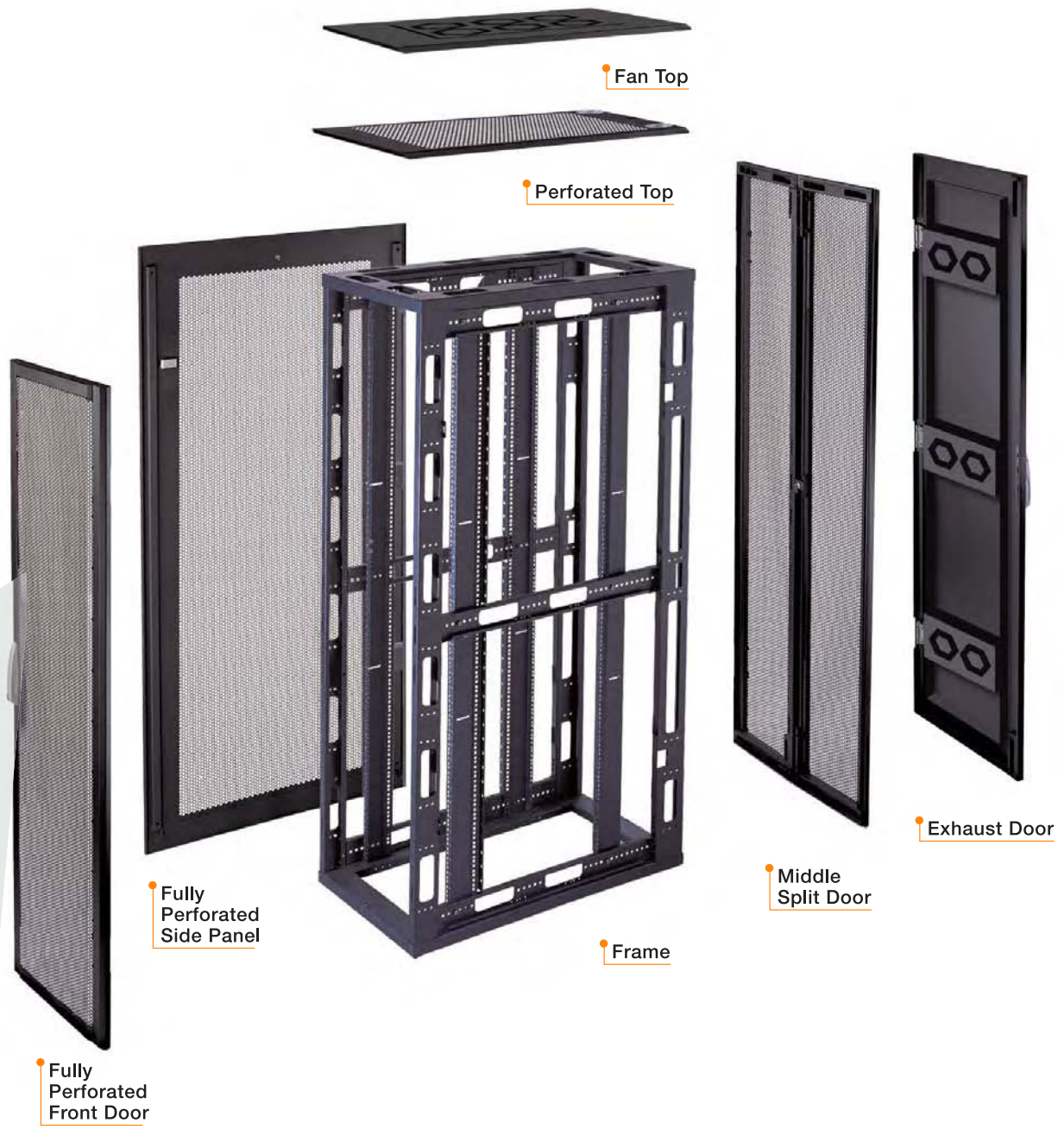


Actual Size

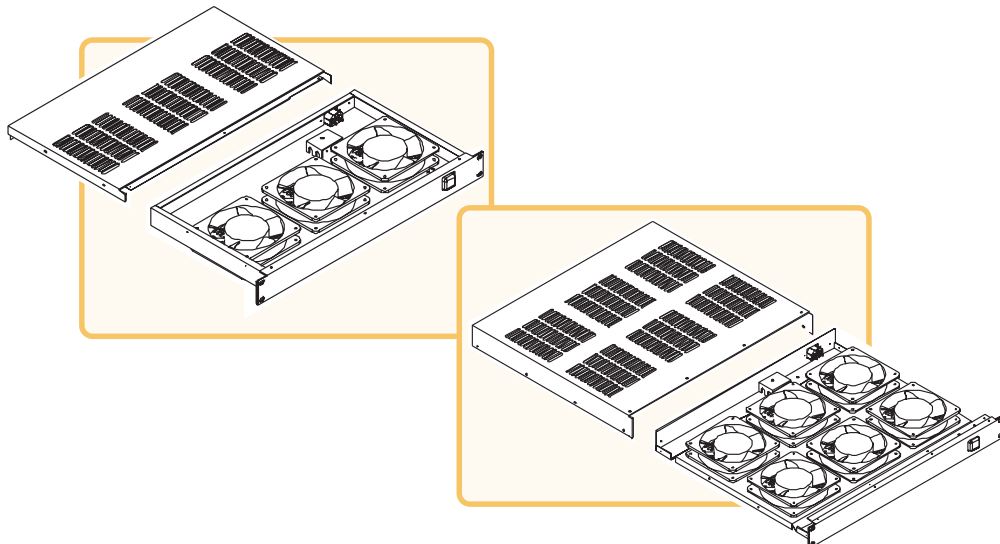


Fully Perforated Door

Door ventilation exceeds 6,528 in² (1,058cm²). Up to 80% perforated area and pure one up to 60%.

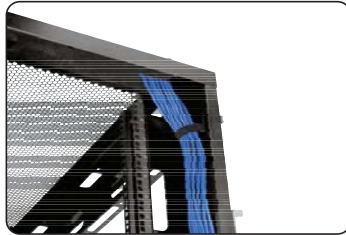


1U Rackmount Fan Unit



Efficient Cable Management

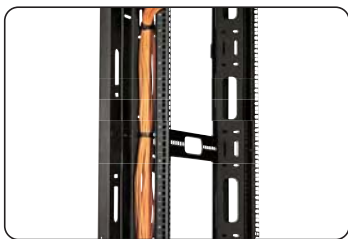
In today's data centres, the use of enclosures not specifically designed for high density equipment applications can lead to unsightly, often incorrectly installed or improperly managed cables - in the worst case this can affect data throughput as well as causing maintenance and thermal problems by blocking proper air flow.



Top



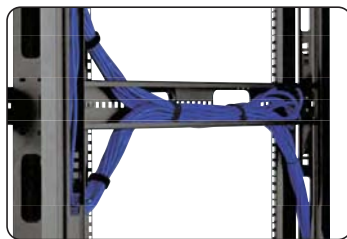
Multi-directional cable management system



Vertical Cable Channel

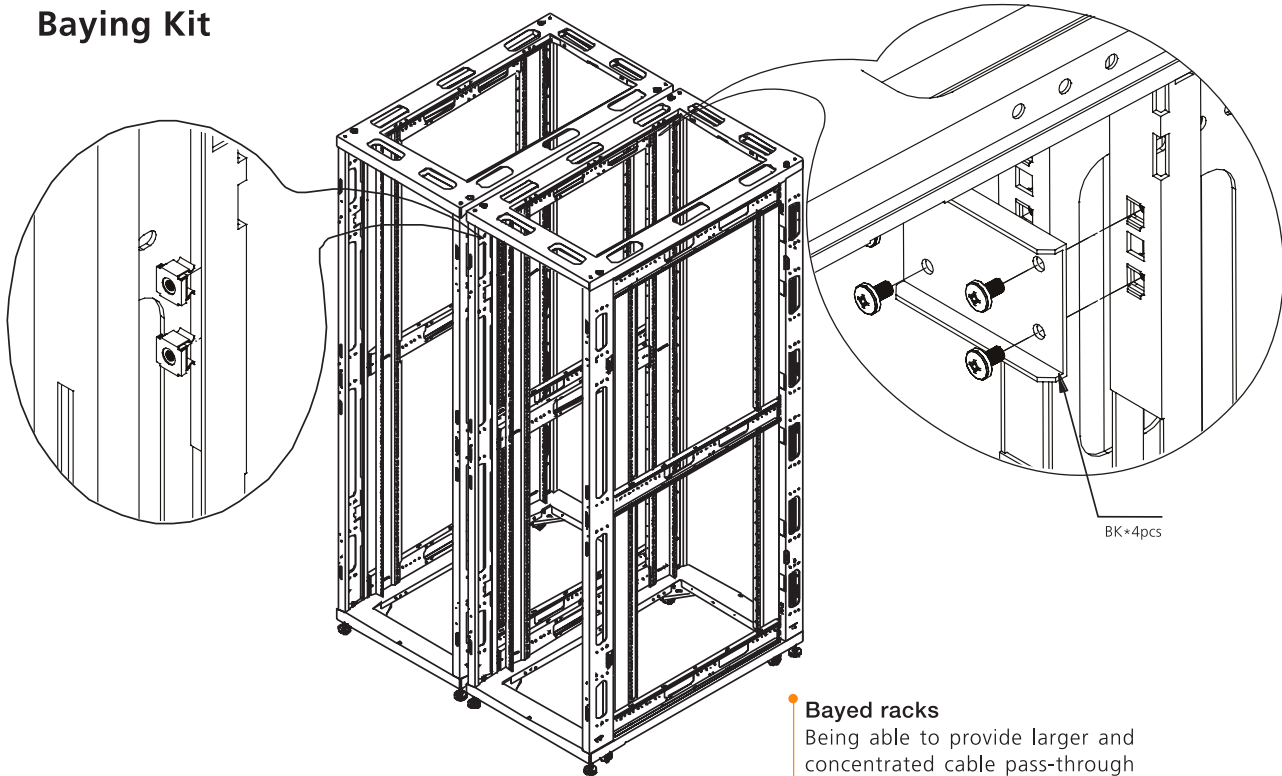


Base



MTG Mounting Support

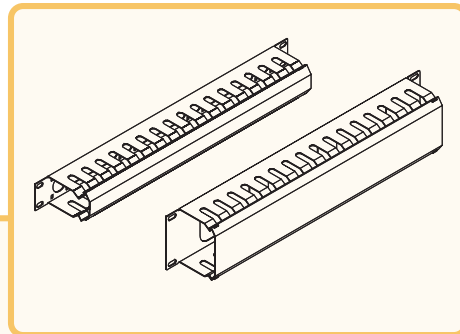
Baying Kit



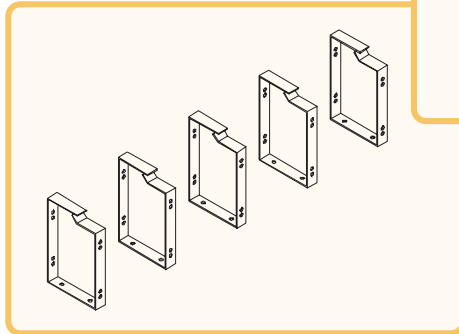
Bayed racks

Being able to provide larger and concentrated cable pass-through areas

Cable Management Panel



Cable Hoop



The **ULTRARACK** SR series provides a simple, versatile cabling pathway within the rack frame. The heavy duty rack framework consisting of end frames, verticals, horizontal panel mounting brackets and reducing cable channels give multi-directional cable pathways and numerous efficient cabling options for easy passage of large quantities of cables. Specially developed cable bend radius protectors can be installed on all cable pass-through areas ensuring a greater level of protection particularly for higher bandwidth fiber cable blade server connections; these also provide greater protection for fiber cables during installation and maintenance.

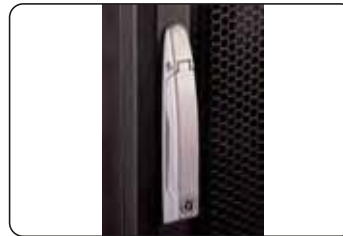
Top to bottom and front to rear cabling is possible without occupying any rack mounting or access space. The SR series enclosure provides a high level secure cable management solution for all mission critical data centre cabling requirements.

Creating a Safe Environment

Heavy Duty Framework **1200kg**
holds 2200lbs load rating.



Restricting access to your equipment is today as important as ensuring that the equipment is operating in the correct enclosure environment. Security, or limiting access to your enclosures, is critical to the safe operation of your equipment and protection of mission critical data. The **ULTRARACK** SR series offers highly secure solutions for access management. These include a key lockable front door, rear door, and side panels as well as top cover. These locks can be keyed identically or with different keys allowing you to manage security levels.



Double Handle Lock
optional identical keys, master keys are available for different levels of security

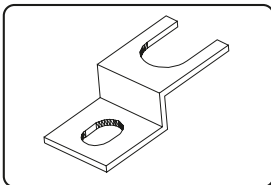
Fully Open Base



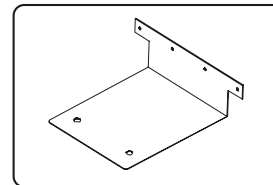
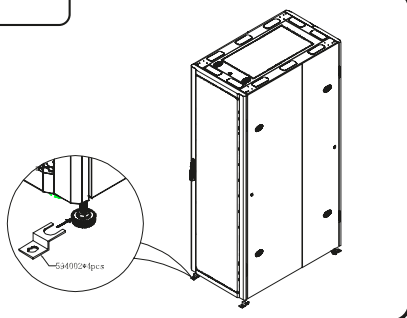
Heavy Duty Door Hinge
Door swings open 150 degrees

Safety

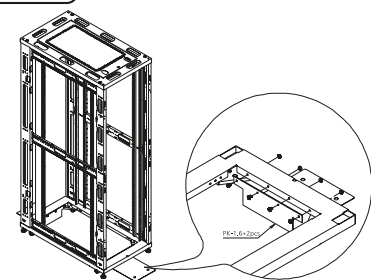
Safety is a key concern for enclosures and data centre environments. The SR series provides high end structural stability, tested through sequential loading, to ensure it provides a safe working environment. For ease of installation and transport the SR series has heavy duty rated castors and is static load rated to 1,000kgs.



Grounding Kit



Extension Plinth



Rolls through a 7 Foot Doorway

42U (80inches/ 2,020mm)



Protective Grounding Provisions

Quick Release Side Panels

Quick Release Doors

42U rack including castors and leveling feet with an overall height of 80inches/ 2,020mm only

Additional Features

The SR series has an innovative split door design feature available on all sizes - the door configuration can either be side split or centre split - this dramatically reduces the space required to open the doors to allow either equipment installation or maintenance. For side split doors, the 700mm wide model is 1:6 while the 800mm wide model is 1:7. For centre split doors the 600/700 and 800mm wide models are all in 1:1.

To further enhance front and rear cable management, the 700 and 800mm wide models have a front cable entry cover that improves the aesthetics of unsightly managed cables.



Fully Perforated Middle Split Door

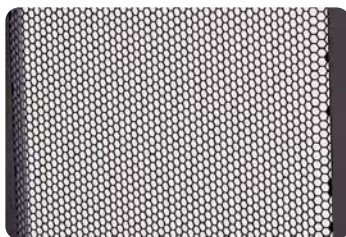


Fully Perforated Side Split Door



Split Side Panel

And more:



Hexagon Perforated Holes filled every fully perforated doors and assure optimal air flow.



Unit Markings Located on mounting angles for easy installation of equipment

Packages & Packing

Package Options



Standard Package



Package A
w/o doors &
side panels



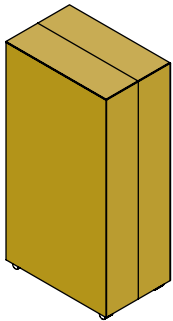
Package B
w/o side panels



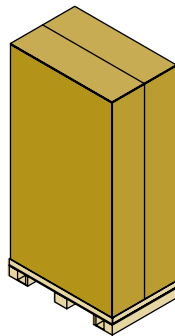
Package C
w/o doors

- 4 package options available
- Standard Package — Full Set
- Package A — Basic Frame
- Package B — Basic Frame + Doors
- Package C — Basic Frame + Side Panels

Packing Form

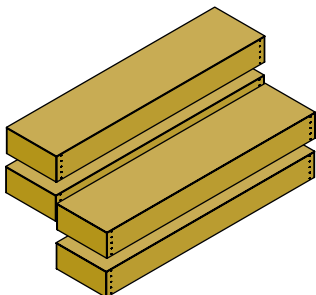


Assembly Packing with Castors

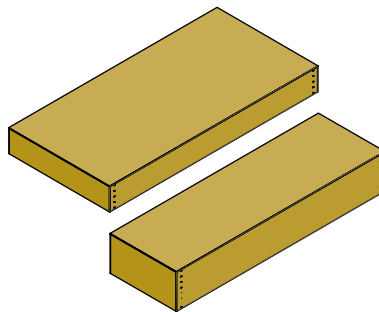


Assembly Packing with Pallet

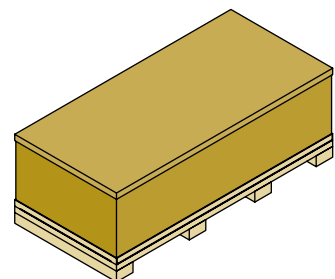
- Individual Packing, Kit of 3 Packing and Assembly Packing available
- Kit of 3 Packing bundled with toughened paper pallet ensures excellent stability
- Ideal for overseas transportation
- Better safety and protection can be provided



Individual Packing



Flat Packing



Kit of 3 Packing

Structure

Split Side Panel
Space-saving within data centres and limited area.



Full Perforated Side Panel
Quick release. Allows heat exhaust.

Plain Side Panel
Quick release. Comes with the standard package.

Glass Door
Front Door with toughened safety glass.

Fully Perforated Front Door
Ensures maximum ventilation. Comes with the standard package



Plain Top
Water-resistance

Fan Top
Top mounted with fan tray enhances the cooling of your equipment

Perforated Top
Allows proper air flow through a matrix of hexagon top holes.



Frame



Middle Split Door
Space-saving within data centres and limited area. Comes with the standard package.



Vented Steel Door
Steel Door with hexagon ventilated infill area.

Plain Steel Door
Steel Door with Non-vented solid surface

Exhaust Door
Allows maximum air flow through a number of fans.



800mm Wide Split Door



700mm Wide Side Split Door



800mm Wide Split Glass Door



700mm Wide Side Split Glass Door

Global Network and Services



Headquarter



Branch Office



Distributors



Facilities

ISO Certified

9001 14001

Head Office

Austin Hughes Electronics Ltd.

Unit 3708-3712, Cable TV Tower
9 Hoi Shing Road, Tsuen Wan
Hong Kong

Factory

Austin Hughes Electronics (China) Ltd.

Hexi Road No.2, Jinxia Industrial Area
Changan Town, Dongguan City
Guangdong Province 523850
China

Austin Hughes Solutions Inc.

1636 Pacific Street, Union City
California 94587
USA

Austin Hughes Europe Ltd.

CyberView House
Fernacre Bussiness Park
Budds Lane, Romsey, Hampshire,
SO51 0HA United Kingdom

Austin Hughes Pte. Ltd.

Singapore, 048544

Quality approvals for best-cost supplier

Austin Hughes China (Facilities) has formerly announced the achievement of BS EN ISO 9001 and BS EN ISO 14001 for its manufacturing facility in Guangdong Province, Southern China. Operating both an Integrated Management System and an Environment Management System confirms the Austin Hughes commitment to 'World Class' manufacturing and 'Total Quality Management'.

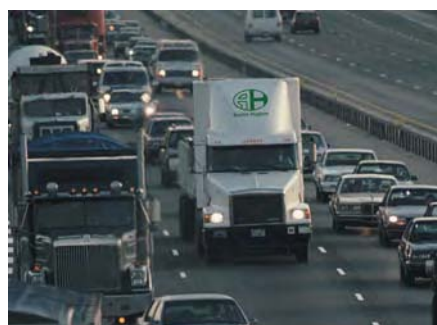


Commitment to manufacturing quality

Austin Hughes facilities are fully equipped with the latest CNC machine tools, finishing and assembly equipment. Our aim is total quality management including defect free manufacturing and flexible on-time delivery.

Commitment to customer service

Our highly trained Sales and Application Engineers are committed to respond to sales enquiries and technical questions within 48 hours. Customer orders are processed immediately to ensure the fastest possible delivery. Most orders are serviced from our existing stocks. We have experienced sales and export teams in P. R. China, Hong Kong, the United States, Europe and Japan to ensure that our customer landed costs are kept to an absolute minimum.



Global distribution and support network

In addition to our headquarters in Hong Kong we have offices in China, the United States, Japan and Europe. An extensive global distributor network represents Austin Hughes in over 35 countries. This network enables us to provide you with service and technical support in your language, wherever you are.

Austin hughes has extensive distribution network, including Europe, the United States, the Middle East, Africa and Asia Pacific. Contact your nearest sales office for details of local representation.

www.austin-hughes.com

Please ask for details of other products from Austin Hughes. Every effort has been made to ensure that the information contained herein is correct. The company reserves the right to modify product specifications without prior notice and assumes no responsibility for any error which may appear in this publication.

All brand names, logo and registered trademarks are properties of their respective owners.

Copyright 2006 Austin Hughes Electronics Ltd. All rights reserved.

Distributed by:

LEAD

LEAD Deutschland GmbH
Widdersdorfer Str. 209
50825 Köln, Germany

Tel: +49-(0)-221-954 79-0
Fax: +49-(0)-221-954 79-88

email: info@lead.de
internet: www.lead.de